

ACBMV B. CASADIO VIBRATION
 Z.I. Mi-Plaine
 51 Rue Ampère
 B.P. 31
 69682 CHASSIEU CEDEX (FRANCE)
 Tel.: 04 78 90 87 87 / Fax.: 04 78 90 87 88
 Email: vibrateur@orange.fr
 Internet: acbmv.com

6 POLES - 1200 RPM ATEX II 2D tD A21 IP 66 ZONE 21-22
 REF.: 602402C Dust T°=120°C
 SIZE: 35

Certifications:



MECHANICAL AND ELECTRICAL SPECIFICATIONS

Eccentric weight setup (%)	Static moment (kgmm)	Working moment (kgcm)	Centrifugal force (kg)	Centrifugal force (kN)	Estimated bearings life time (hours)
100	457,00	91,40	737	7,23	62218
90	411,30	82,26	663	6,51	85463
80	365,60	73,12	590	5,78	>100000
70	319,90	63,98	516	5,06	>100000
60	274,20	54,84	442	4,34	>100000
50	228,50	45,70	369	3,62	>100000
40	182,80	36,56	295	2,89	>100000
30	137,10	27,42	221	2,17	>100000
20	91,40	18,28	147	1,45	>100000
10	45,70	9,14	74	0,72	>100000

Power supply (volts)	460
Phases:	three phases
Frequency (Hz)	60 Hz
Rotation speed (RPM)	1200
Max input power (watt)	380
Max current (amp)	0,68
IS/IR	3,68

DIMENSIONAL SPECIFICATIONS (mm)

Vibrator weight: 36,5 kg

Continual service ambient temperature: -20°C à +40°C - Tropicalization anti-mold - Mechanical protection: IP66 IK08 according to IEC

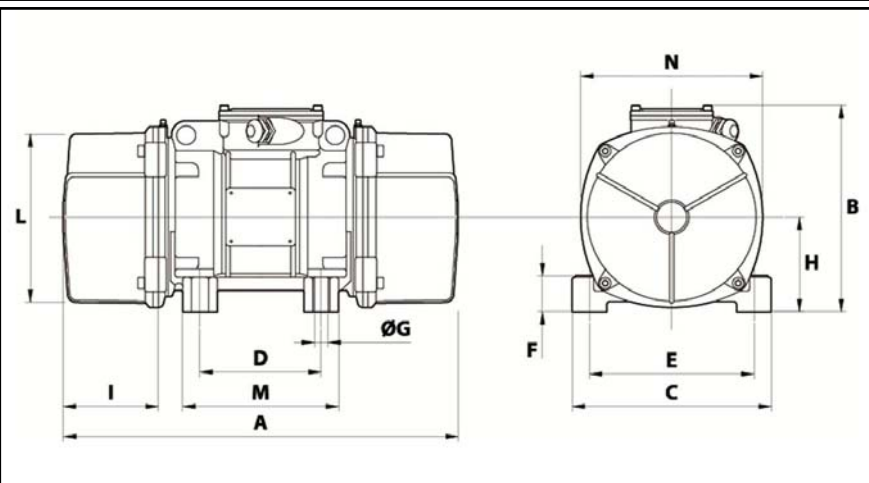
Bearing type: BALL

Lubrication "FOR LIFE" with double protection screen

Fixing with 4 screws M16 - 5/8" quality 8.8 with tightening torque (kgm - ft/lb): 19 - 137

Power supply cable size: 9 à 16 mm - Cable entry thread: M25x1,5

Maintenance space: 117,5 mm



A	435
B	225
C	205
D	120
E	170
F	54
G	17
N° HOLES	4
H	105
I	118
L	187
M	162
N	203
