

ACBMV B. CASADIO VIBRATION
 Z.I. Mi-Plaine
 51 Rue Ampère
 B.P. 31
 69682 CHASSIEU CEDEX (FRANCE)
 Tel.: 04 78 90 87 87 / Fax.: 04 78 90 87 88
 Email: vibrateur@orange.fr
 Internet: acbmv.com

6 POLES - 1000 RPM ATEX II 2D tD A21 IP 66 ZONE 21-22
 REF.: 602403A Dust T°=120°C
 SIZE: 35

Certifications:



MECHANICAL AND ELECTRICAL SPECIFICATIONS

Eccentric weight setup (%)	Static moment (kgmm)	Working moment (kgcm)	Centrifugal force (kg)	Centrifugal force (kN)	Estimated bearings life time (hours)
100	580,00	116,00	650	6,37	39700
90	522,00	104,40	585	5,73	54458
80	464,00	92,80	520	5,10	77539
70	406,00	81,20	455	4,46	>100000
60	348,00	69,60	390	3,82	>100000
50	290,00	58,00	325	3,19	>100000
40	232,00	46,40	260	2,55	>100000
30	174,00	34,80	195	1,91	>100000
20	116,00	23,20	130	1,27	>100000
10	58,00	11,60	65	0,64	>100000

Power supply (volts)	400
Phases:	three phases
Frequency (Hz)	50 Hz
Rotation speed (RPM)	1000
Max input power (watt)	350
Max current (amp)	0,75
IS/IR	2,53

DIMENSIONAL SPECIFICATIONS (mm)

Vibrator weight: 41,0 kg

Continual service ambient temperature: -20°C à +40°C - Tropicalization anti-mold - Mechanical protection: IP66 IK08 according to IEC

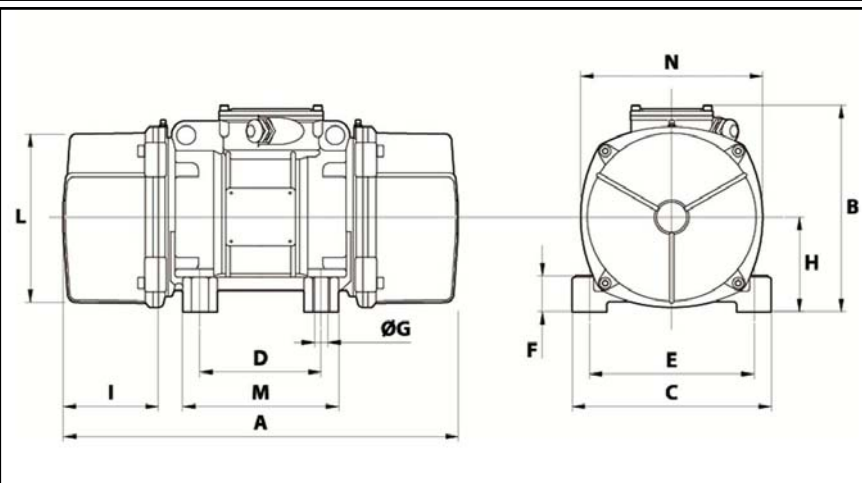
Bearing type: BALL

Lubrication "FOR LIFE" with double protection screen

Fixing with 4 screws M16 - 5/8" quality 8.8 with tightening torque (kgm - ft/lb): 19 - 137

Power supply cable size: 9 à 16 mm - Cable entry thread: M25x1,5

Maintenance space: 140 (50Hz) 117,5 (60Hz) mm



A	480
B	225
C	205
D	120
E	170
F	54
G	17
N° HOLES	4
H	105
I	140
L	187
M	162
N	203