

ACBMV B. CASADIO VIBRATION  
 Z.I. Mi-Plaine  
 51 Rue Ampère  
 B.P. 31  
 69682 CHASSIEU CEDEX (FRANCE)  
 Tel.: 04 78 90 87 87 / Fax.: 04 78 90 87 88  
 Email: [vibrateur@orange.fr](mailto:vibrateur@orange.fr)  
 Internet: [acbmv.com](http://acbmv.com)

6 POLES - 1000 RPM      ATEX II 2D tD A21 IP 66 ZONE 21-22  
 REF.: 602407A              Dust T°=200°C  
 SIZE: 60

Certifications:



### MECHANICAL AND ELECTRICAL SPECIFICATIONS

Eccentric weight setup (%)	Static moment (kgmm)	Working moment (kgcm)	Centrifugal force (kg)	Centrifugal force (kN)	Estimated bearings life time (hours)
100	1927,00	385,40	2154	21,10	18227
90	1734,30	346,86	1939	18,99	25879
80	1541,60	308,32	1723	16,88	38363
70	1348,90	269,78	1508	14,77	59822
60	1156,20	231,24	1292	12,66	>100000
50	963,50	192,70	1077	10,55	>100000
40	770,80	154,16	862	8,44	>100000
30	578,10	115,62	646	6,33	>100000
20	385,40	77,08	431	4,22	>100000
10	192,70	38,54	215	2,11	>100000

Power supply (volts)	400
Phases:	three phases
Frequency (Hz)	50 Hz
Rotation speed (RPM)	1000
Max input power (watt)	1500
Max current (amp)	3,00
IS/IR	3,42

### DIMENSIONAL SPECIFICATIONS (mm)

**Vibrator weight: 93,0 kg**

Continual service ambient temperature: -20°C à +40°C - Tropicalization anti-mold - Mechanical protection: IP66 IK08 according to IEC

Bearing type: ROLLER

Lubrication LONG-LIFE with KLUEBER STABURAGS NBU 8EP.

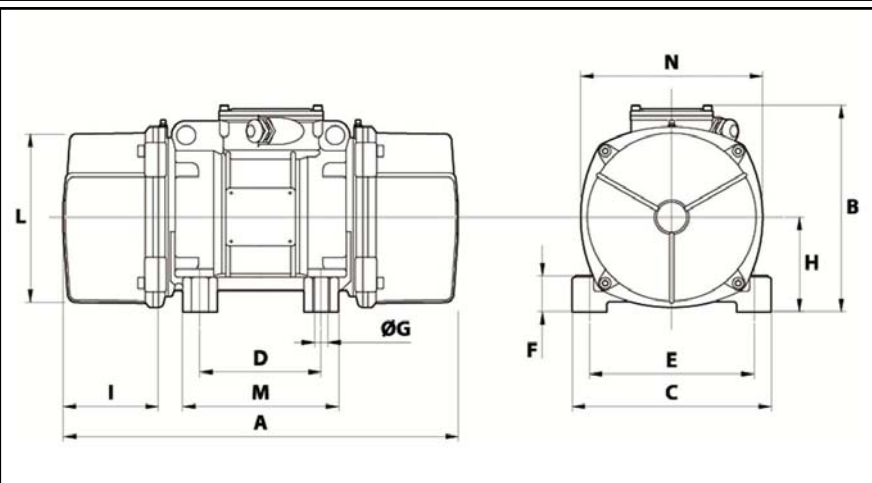
Re lubrication quantity after 1000 hours of using: 14g

Max quantity by replaced bearing: 30g

Fixing with 4 screws M20 - 13/16" quality 8.8 with tightening torque (kgm - ft/lb): 38 - 275

Power supply cable size: 9 à 16 mm - Cable entry thread: M25x1,5

Maintenance space: 177 mm



A	617
B	272
C	275
D	155
E	225
F	70
G	22
N° HOLES	4
H	130
I	177
L	238
M	210
N	253

--	--	--	--	--	--