

ACBMV B. CASADIO VIBRATION  
 Z.I. Mi-Plaine  
 51 Rue Ampère  
 B.P. 31  
 69682 CHASSIEU CEDEX (FRANCE)  
 Tel.: 04 78 90 87 87 / Fax.: 04 78 90 87 88  
 Email: [vibrateur@orange.fr](mailto:vibrateur@orange.fr)  
 Internet: [acbmv.com](http://acbmv.com)

6 POLES - 1200 RPM      ATEX II 2D tD A21 IP 66 ZONE 21-22  
 REF.: 602407C              Dust T°=200°C  
 SIZE: 60

Certifications:



### MECHANICAL AND ELECTRICAL SPECIFICATIONS

Eccentric weight setup (%)	Static moment (kgmm)	Working moment (kgcm)	Centrifugal force (kg)	Centrifugal force (kN)	Estimated bearings life time (hours)
100	1318,00	263,60	2102	20,60	15991
90	1186,20	237,24	1892	18,54	22712
80	1054,40	210,88	1682	16,48	33617
70	922,60	184,52	1471	14,42	52554
60	790,80	158,16	1261	12,36	87822
50	659,00	131,80	1051	10,30	>100000
40	527,20	105,44	841	8,24	>100000
30	395,40	79,08	631	6,18	>100000
20	263,60	52,72	420	4,12	>100000
10	131,80	26,36	210	2,06	>100000

Power supply (volts)	460
Phases:	three phases
Frequency (Hz)	60 Hz
Rotation speed (RPM)	1200
Max input power (watt)	1770
Max current (amp)	2,75
IS/IR	4,00

### DIMENSIONAL SPECIFICATIONS (mm)

**Vibrator weight: 82,0 kg**

Continual service ambient temperature: -20°C à +40°C - Tropicalization anti-mold - Mechanical protection: IP66 IK08 according to IEC

Bearing type: ROLLER

Lubrication LONG-LIFE with KLUEBER STABURAGS NBU 8EP.

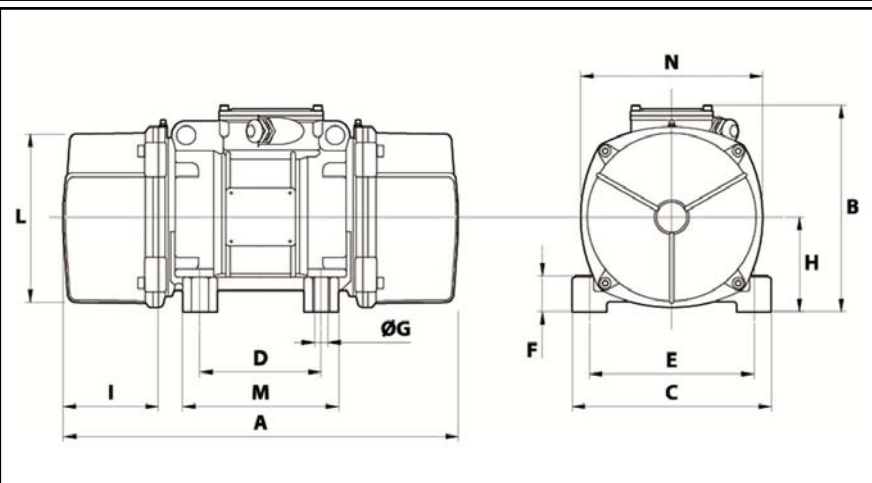
Re lubrication quantity after 1000 hours of using: 14g

Max quantity by replaced bearing: 30g

Fixing with 4 screws M20 - 13/16" quality 8.8 with tightening torque (kgm - ft/lb): 38 - 275

Power supply cable size: 9 à 16 mm - Cable entry thread: M25x1,5

Maintenance space: 177 mm



A	617
B	272
C	275
D	155
E	225
F	70
G	22
N° HOLES	4
H	130
I	177
L	238
M	210
N	253

--	--	--	--	--	--