

ACBMV B. CASADIO VIBRATION
 Z.I. Mi-Plaine
 51 Rue Ampère
 B.P. 31
 69682 CHASSIEU CEDEX (FRANCE)
 Tel.: 04 78 90 87 87 / Fax.: 04 78 90 87 88
 Email: vibrateur@orange.fr
 Internet: acbm.com

8 POLES - 750 RPM
 REF.: 602552A
 SIZE: 50

Certifications:



MECHANICAL AND ELECTRICAL SPECIFICATIONS

Eccentric weight setup (%)	Static moment (kgmm)	Working moment (kgcm)	Centrifugal force (kg)	Centrifugal force (kN)	Estimated bearings life time (hours)
100	1012	202,40	637	6,25	>100000
90	910,80	182,16	573	5,63	>100000
80	809,60	161,92	510	5,00	>100000
70	708,40	141,68	446	4,38	>100000
60	607,20	121,44	382	3,75	>100000
50	506,00	101,20	319	3,13	>100000
40	404,80	80,96	255	2,50	>100000
30	303,60	60,72	191	1,88	>100000
20	202,40	40,48	127	1,25	>100000
10	101,20	20,24	64	0,63	>100000

Power supply (volts)	400
Phases:	three phases
Frequency (Hz)	50 Hz
Rotation speed (RPM)	750
Max input power (watt)	Input: 420 Rating: 231
Max current (amp)	1
IS/IR	2,91

DIMENSIONAL SPECIFICATIONS (mm)

Vibrator weight: 77 kg

Continual service ambient temperature: -20°C à +40°C - Tropicalization anti-mold - Mechanical protection: IP66 IK08 according to IEC

Bearing type: ROLLER

Lubrication LONG-LIFE with KLUEBER STABURAGS NBU 8EP.

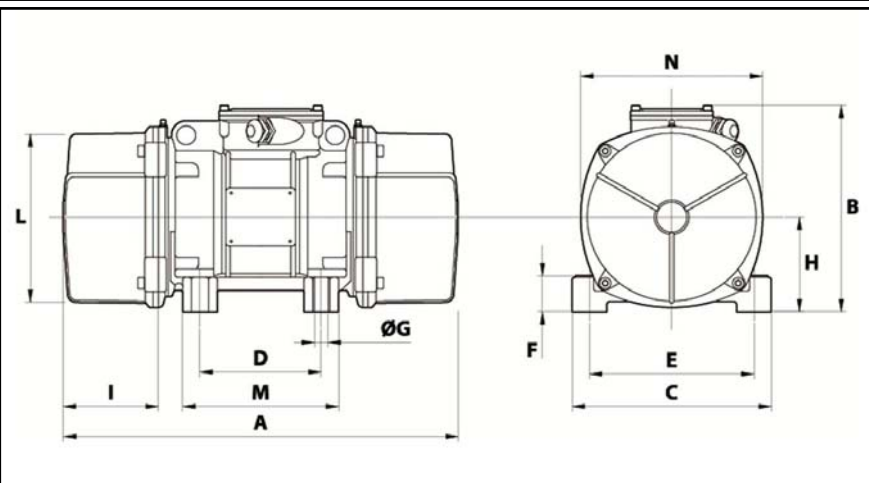
Re lubrication quantity after 1000 hours of using: 16g

Max quantity by replaced bearing: 30g

Fixing with 4 screws M20 - 13/16" quality 8.8 with tightening torque (kgm - ft/lb): 38 - 275

- Thread (pipe thread not supplied): NPT3/4"

Maintenance space: 171 mm



A	594
B	278,5
C	235
D	140
E	190
F	65
G	22
N° HOLES	4
H	116
I	171
L	210
M	185
N	225

--	--	--	--	--	--