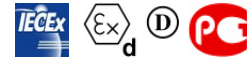


ACBMV B. CASADIO VIBRATION  
 Z.I. Mi-Plaine  
 51 Rue Ampère  
 B.P. 31  
 69682 CHASSIEU CEDEX (FRANCE)  
 Tel.: 04 78 90 87 87 / Fax.: 04 78 90 87 88  
 Email: [vibrateur@orange.fr](mailto:vibrateur@orange.fr)  
 Internet: [acbm.com](http://acbm.com)

8 POLES - 750 RPM  
 REF.: 602555A  
 SIZE: 60

Certifications:



### MECHANICAL AND ELECTRICAL SPECIFICATIONS

Eccentric weight setup (%)	Static moment (kgmm)	Working moment (kgcm)	Centrifugal force (kg)	Centrifugal force (kN)	Estimated bearings life time (hours)
100	1464	292,80	922	9,04	>100000
90	1317,60	263,52	830	8,14	>100000
80	1171,20	234,24	738	7,23	>100000
70	1024,80	204,96	645	6,33	>100000
60	878,40	175,68	553	5,42	>100000
50	732,00	146,40	461	4,52	>100000
40	585,60	117,12	369	3,62	>100000
30	439,20	87,84	277	2,71	>100000
20	292,80	58,56	184	1,81	>100000
10	146,40	29,28	92	0,90	>100000

Power supply (volts)	400
Phases:	three phases
Frequency (Hz)	50 Hz
Rotation speed (RPM)	750
Max input power (watt)	Input: 750 Rating: 480
Max current (amp)	1,52
IS/IR	3,68

### DIMENSIONAL SPECIFICATIONS (mm)

**Vibrator weight: 109 kg**

Continual service ambient temperature: -20°C à +40°C - Tropicalization anti-mold - Mechanical protection: IP66 IK08 according to IEC

Bearing type: ROLLER

Lubrication LONG-LIFE with KLUEBER STABURAGS NBU 8EP.

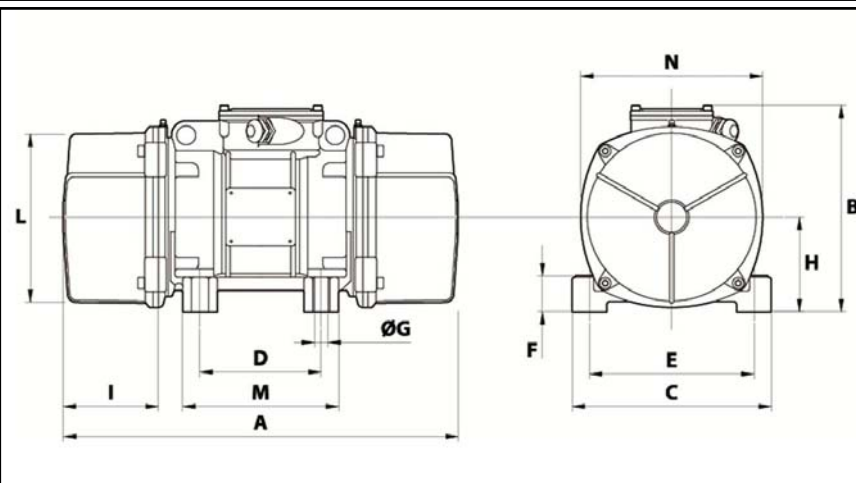
Re lubrication quantity after 1000 hours of using: 19g

Max quantity by replaced bearing: 35g

Fixing with 4 screws M20 - 13/16" quality 8.8 with tightening torque (kgm - ft/lb): 38 - 275

- Thread (pipe thread not supplied): NPT3/4"

Maintenance space: 177 mm



A	634
B	312
C	270
D	155
E	225
F	52
G	22
N° HOLES	4
H	135
I	177
L	238,5
M	200
N	253