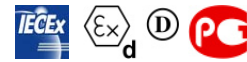


ACBMV B. CASADIO VIBRATION
 Z.I. Mi-Plaine
 51 Rue Ampère
 B.P. 31
 69682 CHASSIEU CEDEX (FRANCE)
 Tel.: 04 78 90 87 87 / Fax.: 04 78 90 87 88
 Email: vibrateur@orange.fr
 Internet: acbmv.com

8 POLES - 900 RPM
 REF.: 602555C
 SIZE: 60

Certifications:



MECHANICAL AND ELECTRICAL SPECIFICATIONS

Eccentric weight setup (%)	Static moment (kgmm)	Working moment (kgcm)	Centrifugal force (kg)	Centrifugal force (kN)	Estimated bearings life time (hours)
100	1464	292,80	1327	13,00	>100000
90	1317,60	263,52	1194	11,70	>100000
80	1171,20	234,24	1062	10,40	>100000
70	1024,80	204,96	929	9,10	>100000
60	878,40	175,68	796	7,80	>100000
50	732,00	146,40	664	6,50	>100000
40	585,60	117,12	531	5,20	>100000
30	439,20	87,84	398	3,90	>100000
20	292,80	58,56	265	2,60	>100000
10	146,40	29,28	133	1,30	>100000

Power supply (volts)	460
Phases:	three phases
Frequency (Hz)	60 Hz
Rotation speed (RPM)	900
Max input power (watt)	Input: 850 Rating: 560
Max current (amp)	1,9
IS/IR	3,05

DIMENSIONAL SPECIFICATIONS (mm)

Vibrator weight: 109 kg

Continual service ambient temperature: -20°C à +40°C - Tropicalization anti-mold - Mechanical protection: IP66 IK08 according to IEC

Bearing type: ROLLER

Lubrication LONG-LIFE with KLUEBER STABURAGS NBU 8EP.

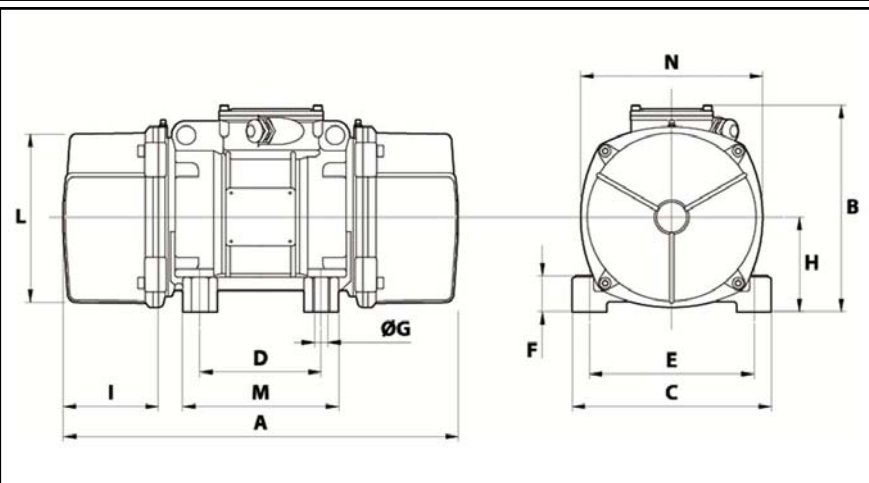
Re lubrication quantity after 1000 hours of using: 19g

Max quantity by replaced bearing: 35g

Fixing with 4 screws M20 - 13/16" quality 8.8 with tightening torque (kgm - ft/lb): 38 - 275

- Thread (pipe thread not supplied): NPT3/4"

Maintenance space: 177 mm



A	634
B	312
C	270
D	155
E	225
F	52
G	22
N° HOLES	4
H	135
I	177
L	238,5
M	200
N	253
