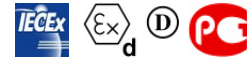


ACBMV B. CASADIO VIBRATION
 Z.I. Mi-Plaine
 51 Rue Ampère
 B.P. 31
 69682 CHASSIEU CEDEX (FRANCE)
 Tel.: 04 78 90 87 87 / Fax.: 04 78 90 87 88
 Email: vibrateur@orange.fr
 Internet: acbmv.com

8 POLES - 750 RPM
 REF.: 602558A
 SIZE: 70

Certifications:



MECHANICAL AND ELECTRICAL SPECIFICATIONS

| Eccentric weight setup (%) | Static moment (kgmm) | Working moment (kgcm) | Centrifugal force (kg) | Centrifugal force (kN) | Estimated bearings life time (hours) |
|----------------------------|----------------------|-----------------------|------------------------|------------------------|--------------------------------------|
| 100 | 2326 | 465,20 | 1463 | 14,40 | >100000 |
| 90 | 2093,40 | 418,68 | 1317 | 12,96 | >100000 |
| 80 | 1860,80 | 372,16 | 1170 | 11,52 | >100000 |
| 70 | 1628,20 | 325,64 | 1024 | 10,08 | >100000 |
| 60 | 1395,60 | 279,12 | 878 | 8,64 | >100000 |
| 50 | 1163,00 | 232,60 | 732 | 7,20 | >100000 |
| 40 | 930,40 | 186,08 | 585 | 5,76 | >100000 |
| 30 | 697,80 | 139,56 | 439 | 4,32 | >100000 |
| 20 | 465,20 | 93,04 | 293 | 2,88 | >100000 |
| 10 | 232,60 | 46,52 | 146 | 1,44 | >100000 |

| | |
|------------------------|-----------------------------------|
| Power supply (volts) | 400 |
| Phases: | three phases |
| Frequency (Hz) | 50 Hz |
| Rotation speed (RPM) | 750 |
| Max input power (watt) | Input: 1480 Rating: 1036 |
| Max current (amp) | 3,52 |
| IS/IR | 3,58 |

DIMENSIONAL SPECIFICATIONS (mm)

Vibrator weight: 144 kg

Continual service ambient temperature: -20°C à +40°C - Tropicalization anti-mold - Mechanical protection: IP66 IK08 according to IEC

Bearing type: ROLLER

Lubrication LONG-LIFE with KLUEBER STABURAGS NBU 8EP.

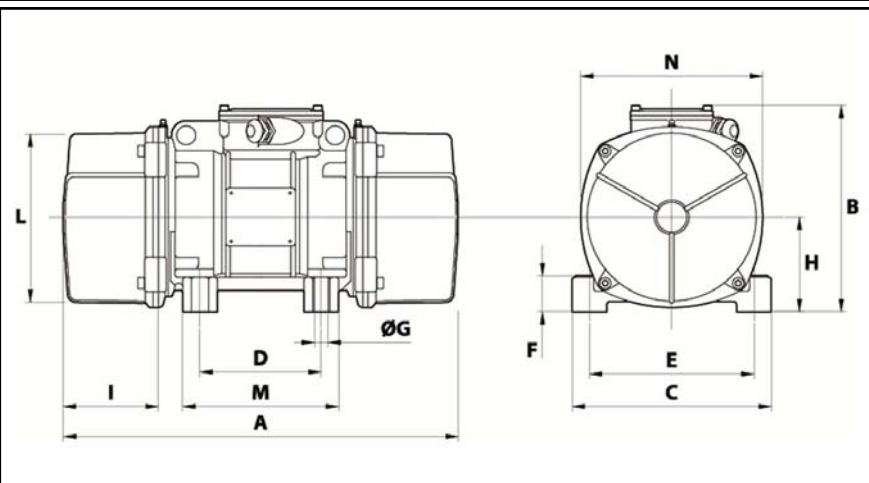
Re lubrication quantity after 1000 hours of using: 30g

Max quantity by replaced bearing: 60g

Fixing with 4 screws M22 - 7/8" quality 8.8 with tightening torque (kgm - ft/lb): 56 - 411

- Thread (pipe thread not supplied): NPT3/4"

Maintenance space: 178 mm



| | |
|----------|-------|
| A | 676 |
| B | 342,5 |
| C | 310 |
| D | 155 |
| E | 255 |
| F | 65 |
| G | 23,5 |
| N° HOLES | 4 |
| H | 155 |
| I | 178 |
| L | 279 |
| M | 210 |
| N | 295 |

| | | | | | |
|--|--|--|--|--|--|
| | | | | | |
| | | | | | |