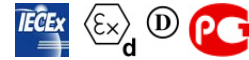


ACBMV B. CASADIO VIBRATION  
 Z.I. Mi-Plaine  
 51 Rue Ampère  
 B.P. 31  
 69682 CHASSIEU CEDEX (FRANCE)  
 Tel.: 04 78 90 87 87 / Fax.: 04 78 90 87 88  
 Email: [vibrateur@orange.fr](mailto:vibrateur@orange.fr)  
 Internet: [acbm.com](http://acbm.com)

8 POLES - 900 RPM  
 REF.: 602558C  
 SIZE: 70

Certifications:



### MECHANICAL AND ELECTRICAL SPECIFICATIONS

Eccentric weight setup (%)	Static moment (kgmm)	Working moment (kgcm)	Centrifugal force (kg)	Centrifugal force (kN)	Estimated bearings life time (hours)
100	2326	465,20	2107	20,70	>100000
90	2093,40	418,68	1896	18,63	>100000
80	1860,80	372,16	1686	16,56	>100000
70	1628,20	325,64	1475	14,49	>100000
60	1395,60	279,12	1264	12,42	>100000
50	1163,00	232,60	1054	10,35	>100000
40	930,40	186,08	843	8,28	>100000
30	697,80	139,56	632	6,21	>100000
20	465,20	93,04	421	4,14	>100000
10	232,60	46,52	211	2,07	>100000

Power supply (volts)	460
Phases:	three phases
Frequency (Hz)	60 Hz
Rotation speed (RPM)	900
Max input power (watt)	Input: 1500 Rating: 1100
Max current (amp)	3,45
IS/IR	3,91

### DIMENSIONAL SPECIFICATIONS (mm)

**Vibrator weight: 144 kg**

Continual service ambient temperature: -20°C à +40°C - Tropicalization anti-mold - Mechanical protection: IP66 IK08 according to IEC

Bearing type: ROLLER

Lubrication LONG-LIFE with KLUEBER STABURAGS NBU 8EP.

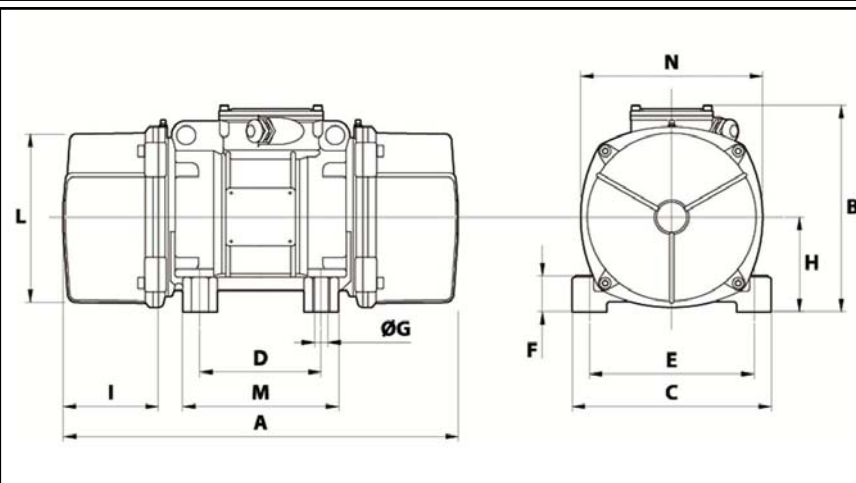
Re lubrication quantity after 1000 hours of using: 30g

Max quantity by replaced bearing: 60g

Fixing with 4 screws M22 - 7/8" quality 8.8 with tightening torque (kgm - ft/lb): 56 - 411

- Thread (pipe thread not supplied): NPT3/4"

Maintenance space: 178 mm



A	676
B	342,5
C	310
D	155
E	255
F	65
G	23,5
N° HOLES	4
H	155
I	178
L	279
M	210
N	295
