

ACBMV B. CASADIO VIBRATION
 Z.I. Mi-Plaine
 51 Rue Ampère
 B.P. 31
 69682 CHASSIEU CEDEX (FRANCE)
 Tel.: 04 78 90 87 87 / Fax.: 04 78 90 87 88
 Email: vibrateur@orange.fr
 Internet: acbm.com

8 POLES - 750 RPM
 REF.: 602576A
 SIZE: 20

Certifications:



MECHANICAL AND ELECTRICAL SPECIFICATIONS

Eccentric weight setup (%)	Static moment (kgmm)	Working moment (kgcm)	Centrifugal force (kg)	Centrifugal force (kN)	Estimated bearings life time (hours)
100	163	32,60	104	1,02	>100000
90	146,70	29,34	94	0,92	>100000
80	130,40	26,08	83	0,82	>100000
70	114,10	22,82	73	0,71	>100000
60	97,80	19,56	62	0,61	>100000
50	81,50	16,30	52	0,51	>100000
40	65,20	13,04	42	0,41	>100000
30	48,90	9,78	31	0,31	>100000
20	32,60	6,52	21	0,20	>100000
10	16,30	3,26	10	0,10	>100000

Power supply (volts)	400
Phases:	three phases
Frequency (Hz)	50 Hz
Rotation speed (RPM)	750
Max input power (watt)	Input: 230 Rating: 110
Max current (amp)	0,85
IS/IR	2,13

DIMENSIONAL SPECIFICATIONS (mm)

Vibrator weight: 21,4 kg

Continual service ambient temperature: -20°C à +40°C - Tropicalization anti-mold - Mechanical protection: IP66 IK08 according to IEC

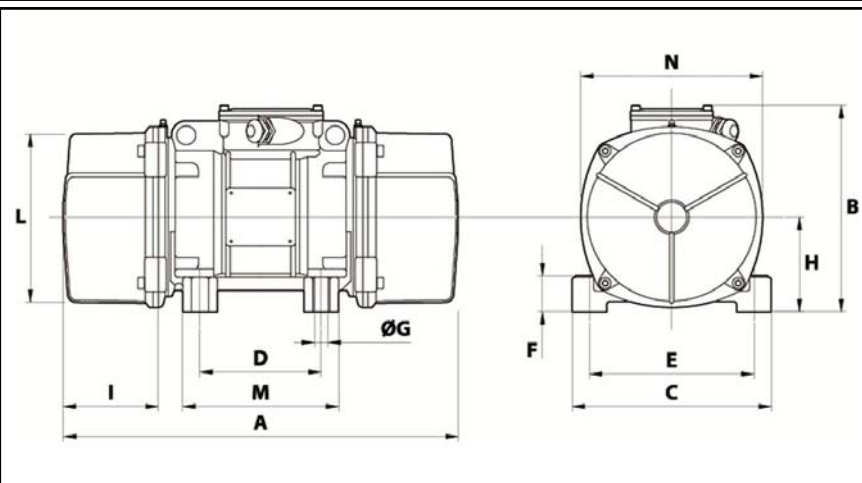
Bearing type: BALL

Lubrication "FOR LIFE" with double protection screen

Fixing with 4 screws M12 - 1/2" quality 8.8 with tightening torque (kgm - ft/lb): 8 - 58

- Thread (pipe thread not supplied): NPT1/2"

Maintenance space: 96 mm



A	350
B	218
C	167
D	105
E	140
F	30
G	13
N° HOLES	4
H	90
I	96
L	150
M	140
N	175