

ACBMV B. CASADIO VIBRATION  
 Z.I. Mi-Plaine  
 51 Rue Ampère  
 B.P. 31  
 69682 CHASSIEU CEDEX (FRANCE)  
 Tel.: 04 78 90 87 87 / Fax.: 04 78 90 87 88  
 Email: [vibrateur@orange.fr](mailto:vibrateur@orange.fr)  
 Internet: [acbmv.com](http://acbmv.com)

8 POLES - 750 RPM  
 REF.: 602577A  
 SIZE: 30

Certifications:



### MECHANICAL AND ELECTRICAL SPECIFICATIONS

Eccentric weight setup (%)	Static moment (kgmm)	Working moment (kgcm)	Centrifugal force (kg)	Centrifugal force (kN)	Estimated bearings life time (hours)
100	286	57,20	181	1,76	>100000
90	257,40	51,48	163	1,58	>100000
80	228,80	45,76	145	1,41	>100000
70	200,20	40,04	127	1,23	>100000
60	171,60	34,32	109	1,06	>100000
50	143,00	28,60	91	0,88	>100000
40	114,40	22,88	72	0,70	>100000
30	85,80	17,16	54	0,53	>100000
20	57,20	11,44	36	0,35	>100000
10	28,60	5,72	18	0,18	>100000

Power supply (volts)	400
Phases:	three phases
Frequency (Hz)	50 Hz
Rotation speed (RPM)	750
Max input power (watt)	Input: 350 Rating: 190
Max current (amp)	1,1
IS/IR	2,03

### DIMENSIONAL SPECIFICATIONS (mm)

**Vibrator weight: 30,3 kg**

Continual service ambient temperature: -20°C à +40°C - Tropicalization anti-mold - Mechanical protection: IP66 IK08 according to IEC

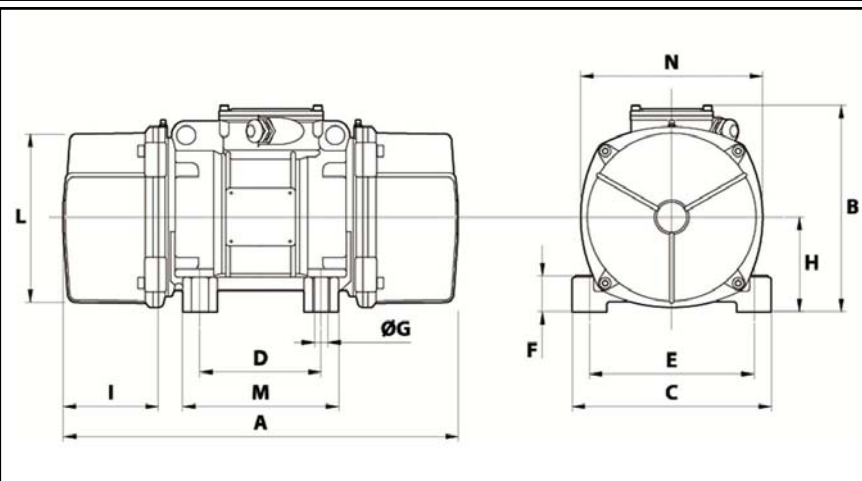
Bearing type: BALL

Lubrication "FOR LIFE" with double protection screen

Fixing with 4 screws M16 - 5/8" quality 8.8 with tightening torque (kgm - ft/lb): 19 - 137

- Thread (pipe thread not supplied): NPT1/2"

Maintenance space: 106 mm



A	394
B	230,5
C	205
D	120
E	170
F	45
G	17
N° HOLES	4
H	102
I	106
L	177
M	162
N	200