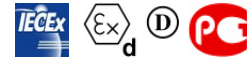


ACBMV B. CASADIO VIBRATION  
 Z.I. Mi-Plaine  
 51 Rue Ampère  
 B.P. 31  
 69682 CHASSIEU CEDEX (FRANCE)  
 Tel.: 04 78 90 87 87 / Fax.: 04 78 90 87 88  
 Email: [vibrateur@orange.fr](mailto:vibrateur@orange.fr)  
 Internet: [acbmv.com](http://acbmv.com)

8 POLES - 900 RPM  
 REF.: 602578C  
 SIZE: 35

Certifications:



### MECHANICAL AND ELECTRICAL SPECIFICATIONS

Eccentric weight setup (%)	Static moment (kgmm)	Working moment (kgcm)	Centrifugal force (kg)	Centrifugal force (kN)	Estimated bearings life time (hours)
100	457	91,40	415	4,07	>100000
90	411,30	82,26	374	3,66	>100000
80	365,60	73,12	332	3,26	>100000
70	319,90	63,98	291	2,85	>100000
60	274,20	54,84	249	2,44	>100000
50	228,50	45,70	208	2,04	>100000
40	182,80	36,56	166	1,63	>100000
30	137,10	27,42	125	1,22	>100000
20	91,40	18,28	83	0,81	>100000
10	45,70	9,14	42	0,41	>100000

Power supply (volts)	460
Phases:	three phases
Frequency (Hz)	60 Hz
Rotation speed (RPM)	900
Max input power (watt)	Input: 300 Rating: 150
Max current (amp)	0,58
IS/IR	2,5

### DIMENSIONAL SPECIFICATIONS (mm)

**Vibrator weight: 47,5 kg**

Continual service ambient temperature: -20°C à +40°C - Tropicalization anti-mold - Mechanical protection: IP66 IK08 according to IEC

Bearing type: ROLLER

Lubrication LONG-LIFE with KLUEBER STABURAGS NBU 8EP.

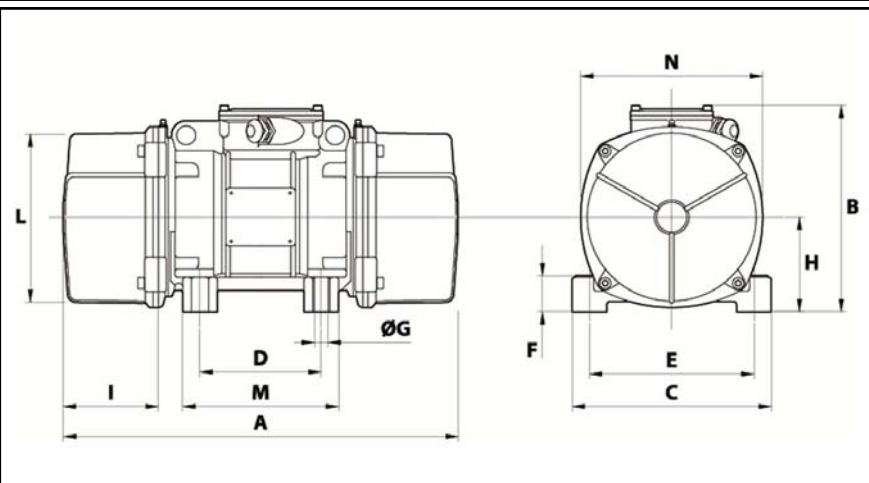
Re lubrication quantity after 1000 hours of using: 7g

Max quantity by replaced bearing: 12g

Fixing with 4 screws M16 - 5/8" quality 8.8 with tightening torque (kgm - ft/lb): 19 - 137

- Thread (pipe thread not supplied): NPT3/4"

Maintenance space: 118 mm



A	446
B	248,5
C	210
D	120
E	170
F	52
G	17
N° HOLES	4
H	112
I	118
L	192
M	160
N	218
