

ACBMV B. CASADIO VIBRATION  
 Z.I. Mi-Plaine  
 51 Rue Ampère  
 B.P. 31  
 69682 CHASSIEU CEDEX (FRANCE)  
 Tel.: 04 78 90 87 87 / Fax.: 04 78 90 87 88  
 Email: [vibrateur@orange.fr](mailto:vibrateur@orange.fr)  
 Internet: [acbm.com](http://acbm.com)

8 POLES - 900 RPM  
 REF.: 602602C  
 SIZE: 80

Certifications:



### MECHANICAL AND ELECTRICAL SPECIFICATIONS

Eccentric weight setup (%)	Static moment (kgmm)	Working moment (kgcm)	Centrifugal force (kg)	Centrifugal force (kN)	Estimated bearings life time (hours)
100	3421	684,20	3099	30,40	>100000
90	3078,90	615,78	2789	27,36	>100000
80	2736,80	547,36	2479	24,32	>100000
70	2394,70	478,94	2169	21,28	>100000
60	2052,60	410,52	1859	18,24	>100000
50	1710,50	342,10	1550	15,20	>100000
40	1368,40	273,68	1240	12,16	>100000
30	1026,30	205,26	930	9,12	>100000
20	684,20	136,84	620	6,08	>100000
10	342,10	68,42	310	3,04	>100000

Power supply (volts)	460
Phases:	three phases
Frequency (Hz)	60 Hz
Rotation speed (RPM)	900
Max input power (watt)	Input: 2100 Rating: 1400
Max current (amp)	5
IS/IR	4,7

### DIMENSIONAL SPECIFICATIONS (mm)

**Vibrator weight: 196 kg**

Continual service ambient temperature: -20°C à +40°C - Tropicalization anti-mold - Mechanical protection: IP66 IK08 according to IEC

Bearing type: ROLLER

Lubrication LONG-LIFE with KLUEBER STABURAGS NBU 8EP.

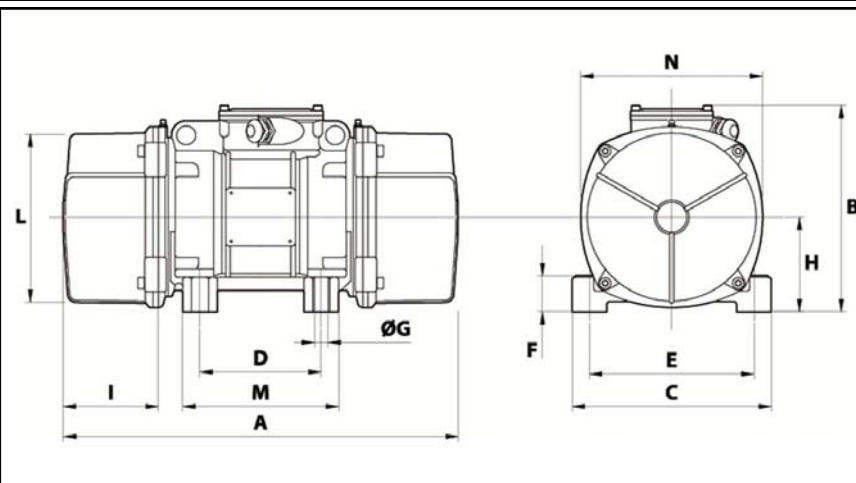
Re lubrication quantity after 1000 hours of using: 40g

Max quantity by replaced bearing: 80g

Fixing with 4 screws M24 - 15/16" quality 8.8 with tightening torque (kgm - ft/lb): 71 - 513

- Thread (pipe thread not supplied): NPT3/4"

Maintenance space: 202 mm



A	734
B	367
C	335
D	180
E	280
F	70
G	25
N° HOLES	4
H	175
I	202
L	303
M	235
N	320
