

VIBRATOR TYPE: MVS1 3/2310E-S90 230/400 VOLTS THREE PHASES 50 Hz

ACBMV B. CASADIO VIBRATION
 Z.I. Mi-Plaine
 51 Rue Ampère
 B.P. 31
 69682 CHASSIEU CEDEX (FRANCE)
 Tel.: 04 78 90 87 87 / Fax.: 04 78 90 87 88
 Email: vibrateur@orange.fr
 Internet: acbmv.com

2 POLES - 3000 RPM ATEX II 2G,D - Classe Ex e II T4/T3 tD A21 IP 66 ZONE 1-2 / 21-22
 REF.: 6E0257A Gas T°=T3-- Dust T°=200°C
 SIZE: AF50

Certifications:



MECHANICAL AND ELECTRICAL SPECIFICATIONS

Eccentric weight setup (%)	Static moment (kgmm)	Working moment (kgcm)	Centrifugal force (kg)	Centrifugal force (kN)	Estimated bearings life time (hours)
100	230,00	46,00	2316	22,70	7642
90	207,00	41,40	2084	20,43	10865
80	184,00	36,80	1853	18,16	16073
70	161,00	32,20	1621	15,89	25103
60	138,00	27,60	1390	13,62	41907
50	115,00	23,00	1158	11,35	77027
40	92,00	18,40	926	9,08	>100000
30	69,00	13,80	695	6,81	>100000
20	46,00	9,20	463	4,54	>100000
10	23,00	4,60	232	2,27	>100000

Power supply (volts)	400
Phases:	three phases
Frequency (Hz)	50 Hz
Rotation speed (RPM)	3000
Max input power (watt)	Input: T3=1110 T4=- Rating: T3=960 T4=-
Max current (amp)	T3=1,9 T4=-
IS/IR	T3=5,9 T4=-

DIMENSIONAL SPECIFICATIONS (mm)

Vibrator weight: 49,6 kg

Continual service ambient temperature: -20°C à +40°C - Tropicalization anti-mold - Mechanical protection: IP66 IK08 according to IEC

Bearing type: ROLLER

Lubrication LONG-LIFE with KLUEBER ISOFLEX NBU 15.

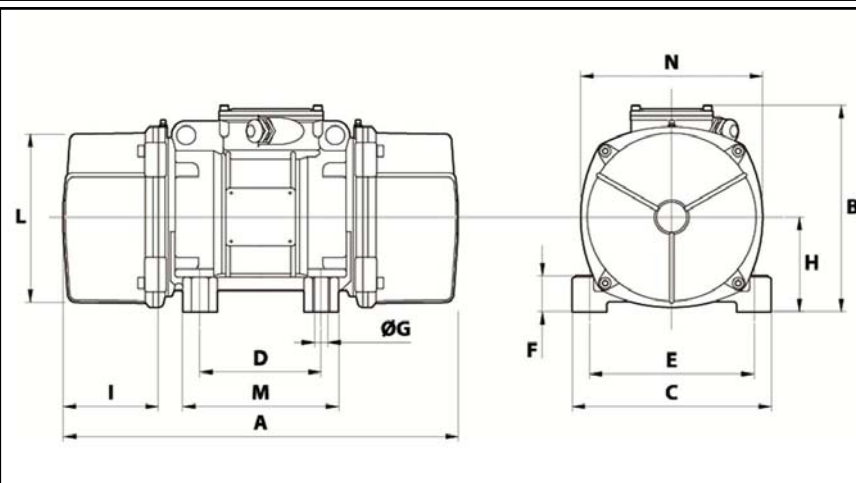
Re lubrication quantity after 1000 hours of using: 16g

Max quantity by replaced bearing: 30g

Fixing with 4 screws M16 - 5/8" quality 8.8 with tightening torque (kgm - ft/lb): 19 - 137

Power supply cable size: 9 à 16 mm - Cable entry thread: M25x1,5

Maintenance space: 105 mm



A	465
B	230
C	230
D	140
E	190
F	49
G	17
N° HOLES	4
H	49
I	105
L	186
M	180
N	200