

VIBRATOR TYPE: MVS1 3/100E-S02 127/220 VOLTS THREE PHASES 50 Hz

ACBMV B. CASADIO VIBRATION
 Z.I. Mi-Plaine
 51 Rue Ampère
 B.P. 31
 69682 CHASSIEU CEDEX (FRANCE)
 Tel.: 04 78 90 87 87 / Fax.: 04 78 90 87 88
 Email: vibrateur@orange.fr
 Internet: acbmv.com

2 POLES - 3000 RPM ATEX II 2G,D - Classe Ex e II T4/T3 tD A21 IP 66 ZONE 1-2 / 21-22
 REF.: 6E0311H Gas T°=T3-T4 Dust T°=120°C
 SIZE: 00

Certifications:



MECHANICAL AND ELECTRICAL SPECIFICATIONS

Eccentric weight setup (%)	Static moment (kgmm)	Working moment (kgcm)	Centrifugal force (kg)	Centrifugal force (kN)	Estimated bearings life time (hours)
100	12,00	2,40	121	1,19	20421
90	10,80	2,16	109	1,07	27935
80	9,60	1,92	97	0,95	39639
70	8,40	1,68	85	0,83	58908
60	7,20	1,44	73	0,71	92996
50	6,00	1,20	61	0,60	>100000
40	4,80	0,96	48	0,48	>100000
30	3,60	0,72	36	0,36	>100000
20	2,40	0,48	24	0,24	>100000
10	1,20	0,24	12	0,12	>100000

Power supply (volts)	220
Phases:	three phases
Frequency (Hz)	50 Hz
Rotation speed (RPM)	3000
Max input power (watt)	Input: T3=180 T4=105 Rating: T3=120 T4=80
Max current (amp)	T3=0,33 T4=0,26
IS/IR	T3=2,68 T4=3,48

DIMENSIONAL SPECIFICATIONS (mm)

Vibrator weight: 5,6 kg

Continual service ambient temperature: -20°C à +40°C - Tropicalization anti-mold - Mechanical protection: IP66 IK08 according to IEC

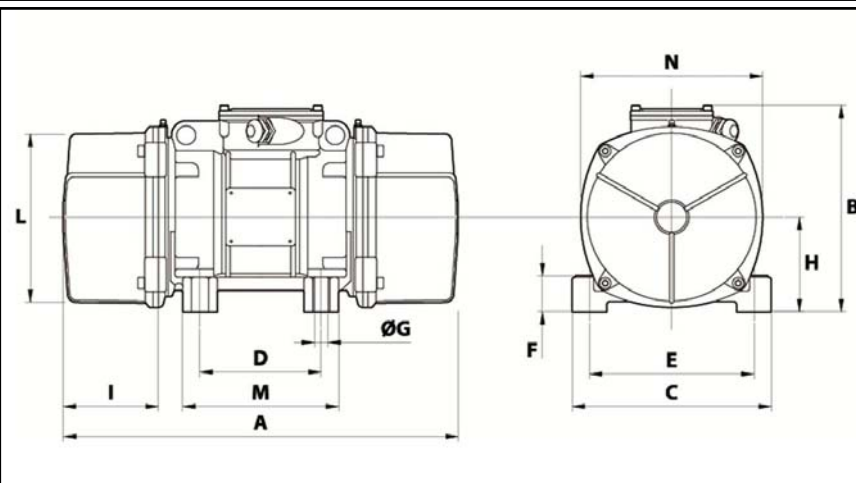
Bearing type: BALL

Lubrication "FOR LIFE" with double protection screen

Fixing with 4 screws M8 - 5/16" quality 8.8 with tightening torque (kgm - ft/lb): 2.30 - 16.50

Power supply cable size: 6.5 à 12 mm - Cable entry thread: M20x1,5

Maintenance space: 46 mm



A	211
B	153
C	125
D	62-74**
E	106
F	24
G	9
N° HOLES	4
H	24
I	46
L	103
M	100
N	117

**					
Slot					

This datas and outline drawings of this technical sheet are the property of ACBMV company. Don't reproduce or copy without authorization. This datas and outline drawings are intended to depict overall dimensions and do not necessarily represent the machine exterior. Information contained herein is subject to change without notice.