

ACBMV B. CASADIO VIBRATION
 Z.I. Mi-Plaine
 51 Rue Ampère
 B.P. 31
 69682 CHASSIEU CEDEX (FRANCE)
 Tel.: 04 78 90 87 87 / Fax.: 04 78 90 87 88
 Email: vibrateur@orange.fr
 Internet: acbm.com

2 POLES - 3000 RPM ATEX II 2G,D - Classe Ex e II T4/T3 tD A21 IP 66 ZONE 1-2 / 21-22
 REF.: 6E0312H Gas T°=T3-- Dust T°=120°C
 SIZE: 01

Certifications:



MECHANICAL AND ELECTRICAL SPECIFICATIONS

Eccentric weight setup (%)	Static moment (kgmm)	Working moment (kgcm)	Centrifugal force (kg)	Centrifugal force (kN)	Estimated bearings life time (hours)
100	21,00	4,20	211	2,07	3851
90	18,90	3,78	190	1,86	5274
80	16,80	3,36	169	1,66	7495
70	14,70	2,94	148	1,45	11159
60	12,60	2,52	127	1,24	17661
50	10,50	2,10	106	1,04	30374
40	8,40	1,68	84	0,83	61036
30	6,30	1,26	63	0,62	>100000
20	4,20	0,84	42	0,41	>100000
10	2,10	0,42	21	0,21	>100000

Power supply (volts)	220
Phases:	three phases
Frequency (Hz)	50 Hz
Rotation speed (RPM)	3000
Max input power (watt)	Input: T3=180 T4=- Rating: T3=120 T4=-
Max current (amp)	T3=0,33 T4=-
IS/IR	T3=2,68 T4=-

DIMENSIONAL SPECIFICATIONS (mm)

Vibrator weight: 6,4 kg

Continual service ambient temperature: -20°C à +40°C - Tropicalization anti-mold - Mechanical protection: IP66 IK08 according to IEC

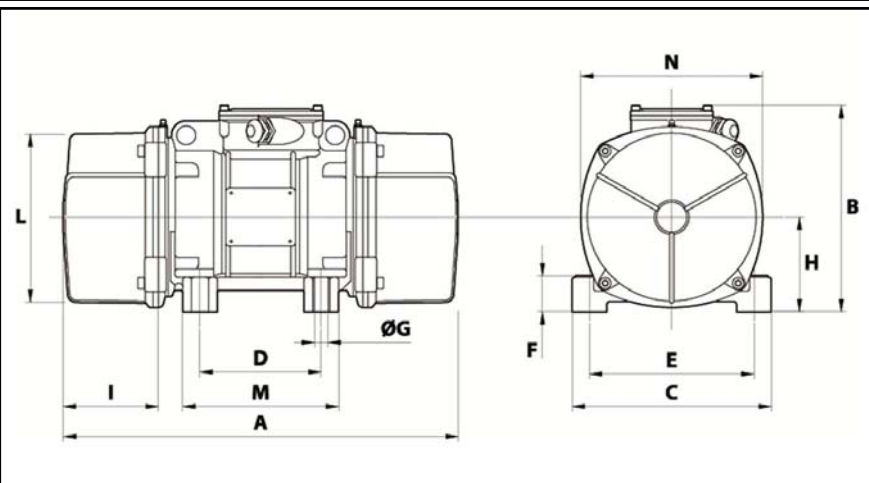
Bearing type: BALL

Lubrication "FOR LIFE" with double protection screen

Fixing with 4 screws M8 - 5/16" quality 8.8 with tightening torque (kgm - ft/lb): 2.30 - 16.50

Power supply cable size: 6.5 à 12 mm - Cable entry thread: M20x1,5

Maintenance space: 58 mm



A	235
B	153
C	125
D	62-74**
E	106
F	24
G	9
N° HOLES	4
H	24
I	58
L	103
M	100
N	117

**					
Slot					