

## VIBRATOR TYPE: MVS1 3/800E-S02 230/400 VOLTS THREE PHASES 50 Hz

ACBMV B. CASADIO VIBRATION  
 Z.I. Mi-Plaine  
 51 Rue Ampère  
 B.P. 31  
 69682 CHASSIEU CEDEX (FRANCE)  
 Tel.: 04 78 90 87 87 / Fax.: 04 78 90 87 88  
 Email: [vibrateur@orange.fr](mailto:vibrateur@orange.fr)  
 Internet: [acbm.com](http://acbm.com)

2 POLES - 3000 RPM      ATEX II 2G,D - Classe Ex e II T4/T3 tD A21 IP 66 ZONE 1-2 / 21-22  
 REF.: 6E0381A              Gas T°=T3-T4 Dust T°=120°C  
 SIZE: 30

Certifications:



### MECHANICAL AND ELECTRICAL SPECIFICATIONS

Eccentric weight setup (%)	Static moment (kgmm)	Working moment (kgcm)	Centrifugal force (kg)	Centrifugal force (kN)	Estimated bearings life time (hours)
100	78,00	15,60	785	7,70	7505
90	70,20	14,04	707	6,93	10273
80	62,40	12,48	628	6,16	14658
70	54,60	10,92	550	5,39	21821
60	46,80	9,36	471	4,62	34745
50	39,00	7,80	393	3,85	59811
40	31,20	6,24	314	3,08	>100000
30	23,40	4,68	236	2,31	>100000
20	15,60	3,12	157	1,54	>100000
10	7,80	1,56	79	0,77	>100000

Power supply (volts)	400
Phases:	three phases
Frequency (Hz)	50 Hz
Rotation speed (RPM)	3000
Max input power (watt)	Input: T3=550 T4=390 Rating: T3=405 T4=290
Max current (amp)	T3=0,95 T4=0,72
IS/IR	T3=4,2 T4=5,52

### DIMENSIONAL SPECIFICATIONS (mm)

**Vibrator weight: 21,0 kg**

Continual service ambient temperature: -20°C à +40°C - Tropicalization anti-mold - Mechanical protection: IP66 IK08 according to IEC

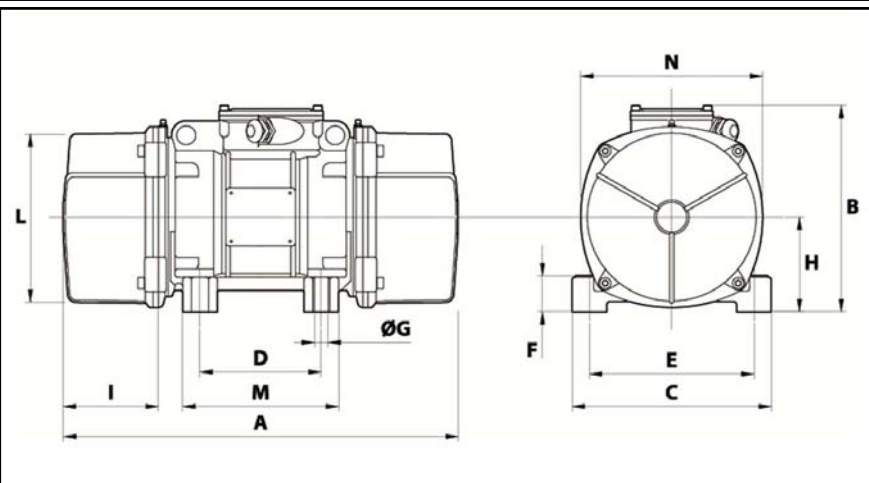
Bearing type: BALL

Lubrication "FOR LIFE" with double protection screen

Fixing with 4 screws M16 - 5/8" quality 8.8 with tightening torque (kgm - ft/lb): 19 - 137

Power supply cable size: 9 à 16 mm - Cable entry thread: M25x1,5

Maintenance space: 63 mm



A	308
B	216
C	205
D	120
E	170
F	45
G	17
N° HOLES	4
H	45
I	63
L	170
M	160
N	182