

VIBRATOR TYPE: MVS1 3/5000E-S02 230/400 VOLTS THREE PHASES 50 Hz

ACBMV B. CASADIO VIBRATION
 Z.I. Mi-Plaine
 51 Rue Ampère
 B.P. 31
 69682 CHASSIEU CEDEX (FRANCE)
 Tel.: 04 78 90 87 87 / Fax.: 04 78 90 87 88
 Email: vibrateur@orange.fr
 Internet: acbmv.com

2 POLES - 3000 RPM ATEX II 2G,D - Classe Ex e II T4/T3 tD A21 IP 66 ZONE 1-2 / 21-22
 REF.: 6E0472A Gas T°=T3-- Dust T°=135°C
 SIZE: AF70

Certifications:



MECHANICAL AND ELECTRICAL SPECIFICATIONS

Eccentric weight setup (%)	Static moment (kgmm)	Working moment (kgcm)	Centrifugal force (kg)	Centrifugal force (kN)	Estimated bearings life time (hours)
100	515,00	103,00	5187	50,90	5377
90	463,50	92,70	4668	45,81	7641
80	412,00	82,40	4150	40,72	11309
70	360,50	72,10	3631	35,63	17654
60	309,00	61,80	3112	30,54	29521
50	257,50	51,50	2594	25,45	54162
40	206,00	41,20	2075	20,36	>100000
30	154,50	30,90	1556	15,27	>100000
20	103,00	20,60	1037	10,18	>100000
10	51,50	10,30	519	5,09	>100000

Power supply (volts)	400
Phases:	three phases
Frequency (Hz)	50 Hz
Rotation speed (RPM)	3000
Max input power (watt)	Input: T3=3000 T4=- Rating: T3=2600 T4=-
Max current (amp)	T3=4,75 T4=-
IS/IR	T3=8 T4=-

DIMENSIONAL SPECIFICATIONS (mm)

Vibrator weight: 109,0 kg

Continual service ambient temperature: -20°C à +40°C - Tropicalization anti-mold - Mechanical protection: IP66 IK08 according to IEC

Bearing type: ROLLER

Lubrication LONG-LIFE with KLUEBER ISOFLEX NBU 15.

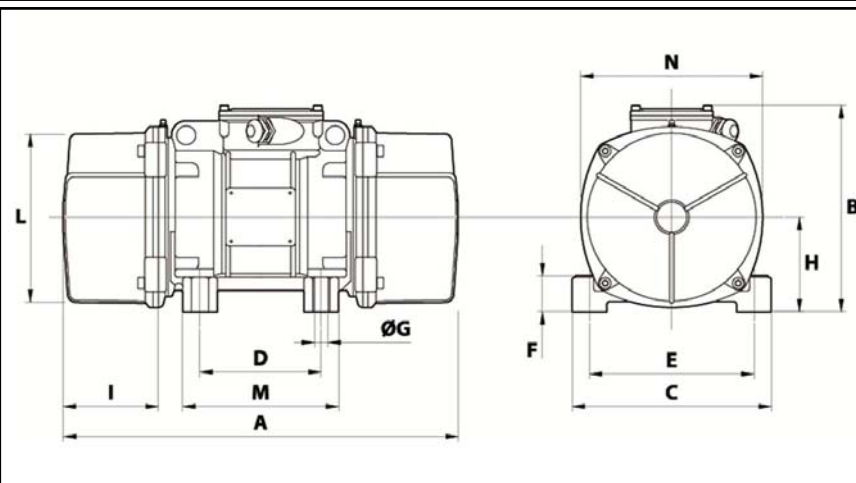
Re lubrication quantity after 1000 hours of using: 30g

Max quantity by replaced bearing: 60g

Fixing with 4 screws M24 - 15/16" quality 8.8 with tightening torque (kgm - ft/lb): 71 - 513

Power supply cable size: 9 à 16 mm - Cable entry thread: M25x1,5

Maintenance space: 137 mm



A	560
B	290
C	310
D	155
E	255
F	90
G	25
N° HOLES	4
H	90
I	137
L	238
M	210
N	253