

ACBMV B. CASADIO VIBRATION
 Z.I. Mi-Plaine
 51 Rue Ampère
 B.P. 31
 69682 CHASSIEU CEDEX (FRANCE)
 Tel.: 04 78 90 87 87 / Fax.: 04 78 90 87 88
 Email: vibrateur@orange.fr
 Internet: acbm.com

2 POLES - 3000 RPM ATEX II 2G,D - Classe Ex e II T4/T3 tD A21 IP 66 ZONE 1-2 / 21-22
 REF.: 6E0491A Gas T°=-T4 Dust T°=200°C
 SIZE: AF33

Certifications:



MECHANICAL AND ELECTRICAL SPECIFICATIONS

Eccentric weight setup (%)	Static moment (kgmm)	Working moment (kgcm)	Centrifugal force (kg)	Centrifugal force (kN)	Estimated bearings life time (hours)
100	128,00	25,60	1290	12,70	2153
90	115,20	23,04	1161	11,43	2953
80	102,40	20,48	1032	10,16	4205
70	89,60	17,92	903	8,89	6277
60	76,80	15,36	774	7,62	9968
50	64,00	12,80	645	6,35	17224
40	51,20	10,24	516	5,08	33641
30	38,40	7,68	387	3,81	79741
20	25,60	5,12	258	2,54	>100000
10	12,80	2,56	129	1,27	>100000

Power supply (volts)	400
Phases:	three phases
Frequency (Hz)	50 Hz
Rotation speed (RPM)	3000
Max input power (watt)	Input: T3=- T4=700 Rating: T3=- T4=500
Max current (amp)	T3=- T4=1,24
IS/IR	T3=- T4=6,4

DIMENSIONAL SPECIFICATIONS (mm)

Vibrator weight: 27,0 kg

Continual service ambient temperature: -20°C à +40°C - Tropicalization anti-mold - Mechanical protection: IP66 IK08 according to IEC

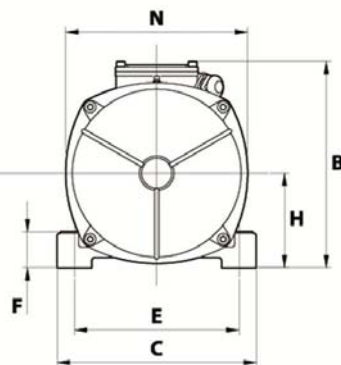
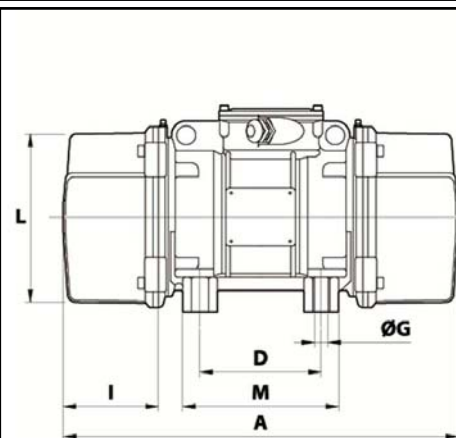
Bearing type: BALL

Lubrication "FOR LIFE" with double protection screen

Fixing with 4 screws M16 - 5/8" quality 8.8 with tightening torque (kgm - ft/lb): 19 - 137

Power supply cable size: 9 à 16 mm - Cable entry thread: M25x1,5

Maintenance space: 106 mm



A	375
B	217
C	215
D	100
E	180
F	47
G	17
N° HOLES	4
H	47
I	106
L	170
M	145
N	182