

ACBMV B. CASADIO VIBRATION
 Z.I. Mi-Plaine
 51 Rue Ampère
 B.P. 31
 69682 CHASSIEU CEDEX (FRANCE)
 Tel.: 04 78 90 87 87 / Fax.: 04 78 90 87 88
 Email: vibrateur@orange.fr
 Internet: acbmv.com

2 POLES - 3000 RPM ATEX II 2G,D - Classe Ex e II T4/T3 tD A21 IP 66 ZONE 1-2 / 21-22
 REF.: 6E0502A Gas T°=T3-T4 Dust T°=200°C
 SIZE: 50

Certifications:



MECHANICAL AND ELECTRICAL SPECIFICATIONS

Eccentric weight setup (%)	Static moment (kgmm)	Working moment (kgcm)	Centrifugal force (kg)	Centrifugal force (kN)	Estimated bearings life time (hours)
100	153,00	30,60	1545	15,20	3020
90	137,70	27,54	1391	13,68	4286
80	122,40	24,48	1236	12,16	6354
70	107,10	21,42	1082	10,64	9901
60	91,80	18,36	927	9,12	16577
50	76,50	15,30	773	7,60	30374
40	61,20	12,24	618	6,08	64043
30	45,90	9,18	464	4,56	>100000
20	30,60	6,12	309	3,04	>100000
10	15,30	3,06	155	1,52	>100000

Power supply (volts)	400
Phases:	three phases
Frequency (Hz)	50 Hz
Rotation speed (RPM)	3000
Max input power (watt)	Input: T3=1010 T4=830 Rating: T3=720 T4=660
Max current (amp)	T3=1,62 T4=1,43
IS/IR	T3=9,29 T4=7,3

DIMENSIONAL SPECIFICATIONS (mm)

Vibrator weight: 33,0 kg

Continual service ambient temperature: -20°C à +40°C - Tropicalization anti-mold - Mechanical protection: IP66 IK08 according to IEC

Bearing type: ROLLER

Lubrication LONG-LIFE with KLUEBER ISOFLEX NBU 15.

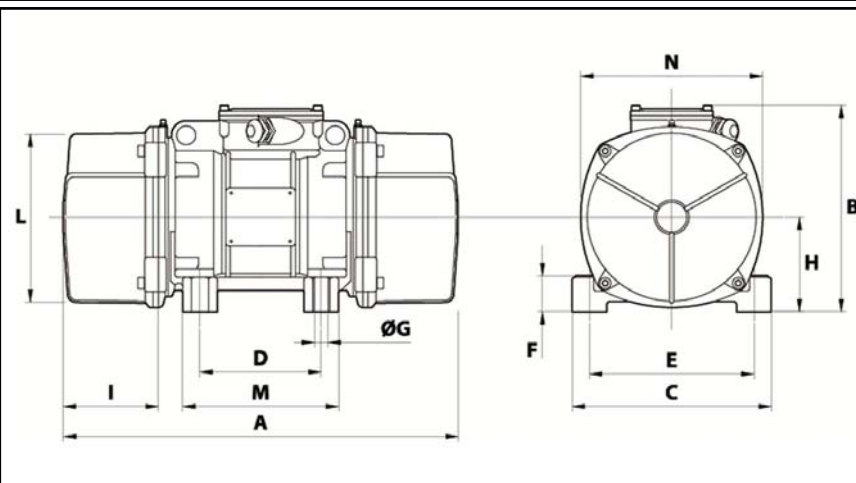
Re lubrication quantity after 1000 hours of using: 4.5g

Max quantity by replaced bearing: 9g

Fixing with 4 screws M16 - 5/8" quality 8.8 with tightening torque (kgm - ft/lb): 19 - 137

Power supply cable size: 9 à 16 mm - Cable entry thread: M25x1,5

Maintenance space: 99 mm



A	430
B	246
C	230
D	140
E	190
F	54
G	17
N° HOLES	4
H	54
I	99
L	207
M	190
N	225