

ACBMV B. CASADIO VIBRATION
 Z.I. Mi-Plaine
 51 Rue Ampère
 B.P. 31
 69682 CHASSIEU CEDEX (FRANCE)
 Tel.: 04 78 90 87 87 / Fax.: 04 78 90 87 88
 Email: vibrateur@orange.fr
 Internet: acbm.com

2 POLES - 3000 RPM ATEX II 2G,D - Classe Ex e II T4/T3 tD A21 IP 66 ZONE 1-2 / 21-22
 REF.: 6E0503A Gas T°=T3-- Dust T°=200°C
 SIZE: 50

Certifications:



MECHANICAL AND ELECTRICAL SPECIFICATIONS

Eccentric weight setup (%)	Static moment (kgmm)	Working moment (kgcm)	Centrifugal force (kg)	Centrifugal force (kN)	Estimated bearings life time (hours)
100	179,00	35,80	1802	17,70	1902
90	161,10	32,22	1622	15,93	2608
80	143,20	28,64	1442	14,16	3712
70	125,30	25,06	1261	12,39	5550
60	107,40	21,48	1081	10,62	8810
50	89,50	17,90	901	8,85	15216
40	71,60	14,32	721	7,08	29694
30	53,70	10,74	541	5,31	70288
20	35,80	7,16	360	3,54	>100000
10	17,90	3,58	180	1,77	>100000

Power supply (volts)	400
Phases:	three phases
Frequency (Hz)	50 Hz
Rotation speed (RPM)	3000
Max input power (watt)	Input: T3=1010 T4=- Rating: T3=720 T4=-
Max current (amp)	T3=1,62 T4=-
IS/IR	T3=9,29 T4=-

DIMENSIONAL SPECIFICATIONS (mm)

Vibrator weight: 34,0 kg

Continual service ambient temperature: -20°C à +40°C - Tropicalization anti-mold - Mechanical protection: IP66 IK08 according to IEC

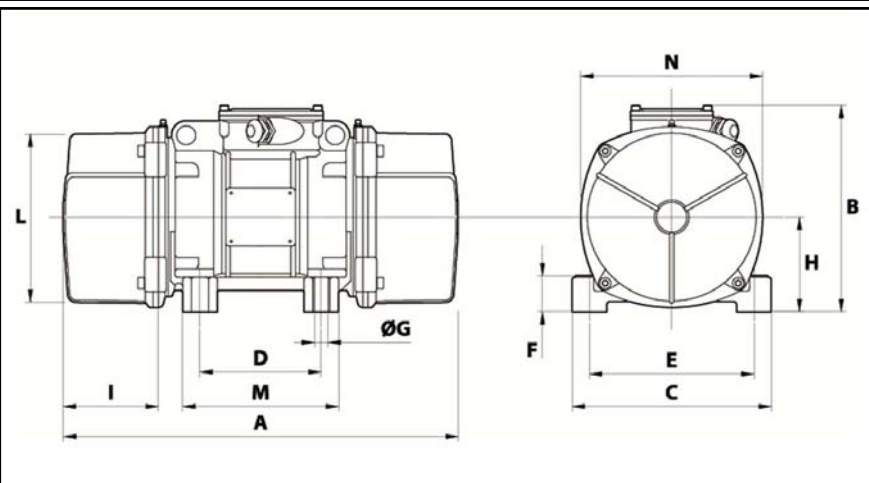
Bearing type: BALL

Lubrication "FOR LIFE" with double protection screen

Fixing with 4 screws M16 - 5/8" quality 8.8 with tightening torque (kgm - ft/lb): 19 - 137

Power supply cable size: 9 à 16 mm - Cable entry thread: M25x1,5

Maintenance space: 99 mm



A	430
B	246
C	230
D	140
E	190
F	54
G	17
N° HOLES	4
H	54
I	99
L	207
M	190
N	225