

## VIBRATOR TYPE: MVS1 3/1500E-S08 230/400 VOLTS THREE PHASES 50 Hz

ACBMV B. CASADIO VIBRATION  
 Z.I. Mi-Plaine  
 51 Rue Ampère  
 B.P. 31  
 69682 CHASSIEU CEDEX (FRANCE)  
 Tel.: 04 78 90 87 87 / Fax.: 04 78 90 87 88  
 Email: [vibrateur@orange.fr](mailto:vibrateur@orange.fr)  
 Internet: [acbmv.com](http://acbmv.com)

2 POLES - 3000 RPM      ATEX II 2G,D - Classe Ex e II T4/T3 tD A21 IP 66 ZONE 1-2 / 21-22  
 REF.: 6E0504A      Gas T°=--T4 Dust T°=200°C  
 SIZE: AF33

Certifications:



### MECHANICAL AND ELECTRICAL SPECIFICATIONS

Eccentric weight setup (%)	Static moment (kgmm)	Working moment (kgcm)	Centrifugal force (kg)	Centrifugal force (kN)	Estimated bearings life time (hours)
100	146,00	29,20	1470	14,40	2656
90	131,40	26,28	1323	12,96	3774
80	116,80	23,36	1176	11,52	5588
70	102,20	20,44	1029	10,08	8721
60	87,60	17,52	882	8,64	14579
50	73,00	14,60	735	7,20	26771
40	58,40	11,68	588	5,76	56324
30	43,80	8,76	441	4,32	>100000
20	29,20	5,84	294	2,88	>100000
10	14,60	2,92	147	1,44	>100000

Power supply (volts)	400
Phases:	three phases
Frequency (Hz)	50 Hz
Rotation speed (RPM)	3000
Max input power (watt)	Input: T3=- T4=700 Rating: T3=- T4=500
Max current (amp)	T3=- T4=1,24
IS/IR	T3=- T4=6,4

### DIMENSIONAL SPECIFICATIONS (mm)

**Vibrator weight: 25,3 kg**

Continual service ambient temperature: -20°C à +40°C - Tropicalization anti-mold - Mechanical protection: IP66 IK08 according to IEC

Bearing type: ROLLER

Lubrication LONG-LIFE with KLUEBER ISOFLEX NBU 15.

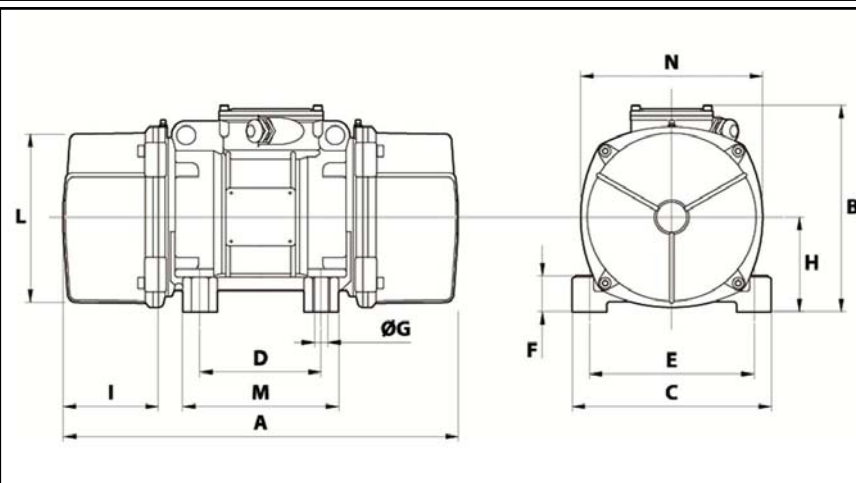
Re lubrication quantity after 1000 hours of using: 9g

Max quantity by replaced bearing: 16g

Fixing with 4 screws M16 - 5/8" quality 8.8 with tightening torque (kgm - ft/lb): 19 - 137

Power supply cable size: 9 à 16 mm - Cable entry thread: M25x1,5

Maintenance space: 106 mm



A	375
B	217
C	215
D	100
E	180
F	47
G	17
N° HOLES	4
H	47
I	106
L	170
M	145
N	182