

VIBRATOR TYPE: MVS1 10/5200E-S02 230/400 VOLTS THREE PHASES 50 Hz

ACBMV B. CASADIO VIBRATION
 Z.I. Mi-Plaine
 51 Rue Ampère
 B.P. 31
 69682 CHASSIEU CEDEX (FRANCE)
 Tel.: 04 78 90 87 87 / Fax.: 04 78 90 87 88
 Email: vibrateur@orange.fr
 Internet: acbm.com

2 POLES - 3000 RPM ATEX II 2G,D - Classe Ex e II T4/T3 tD A21 IP 66 ZONE 1-2 / 21-22
 REF.: 6E2138A Gas T°=T3-- Dust T°=135°C
 SIZE: 90

Certifications:



MECHANICAL AND ELECTRICAL SPECIFICATIONS

Eccentric weight setup (%)	Static moment (kgmm)	Working moment (kgcm)	Centrifugal force (kg)	Centrifugal force (kN)	Estimated bearings life time (hours)
100	4658,00	931,60	5208	51,10	30172
90	4192,20	838,44	4687	45,99	42874
80	3726,40	745,28	4166	40,88	63500
70	3260,60	652,12	3646	35,77	99034
60	2794,80	558,96	3125	30,66	>100000
50	2329,00	465,80	2604	25,55	>100000
40	1863,20	372,64	2083	20,44	>100000
30	1397,40	279,48	1562	15,33	>100000
20	931,60	186,32	1042	10,22	>100000
10	465,80	93,16	521	5,11	>100000

Power supply (volts)	400
Phases:	three phases
Frequency (Hz)	50 Hz
Rotation speed (RPM)	1000
Max input power (watt)	Input: T3=3500 T4=- Rating: T3=2590 T4=-
Max current (amp)	T3=6,65 T4=-
IS/IR	T3=4,64 T4=-

DIMENSIONAL SPECIFICATIONS (mm)

Vibrator weight: 238,0 kg

Continual service ambient temperature: -20°C à +40°C - Tropicalization anti-mold - Mechanical protection: IP66 IK08 according to IEC

Bearing type: ROLLER

Lubrication LONG-LIFE with KLUEBER STABURAGS NBU 8EP.

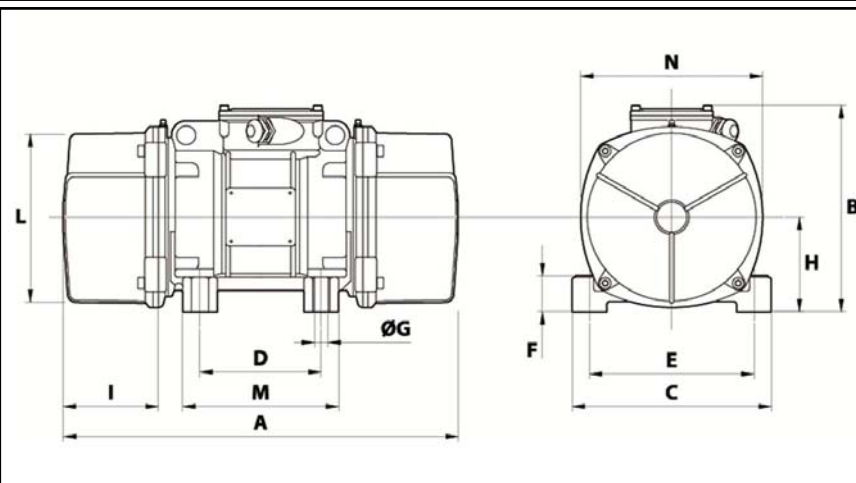
Re lubrication quantity after 1000 hours of using: 50g

Max quantity by replaced bearing: 100g

Fixing with 4 screws M27 - 1" quality 8.8 with tightening torque (kgm - ft/lb): 89 - 645

Power supply cable size: 13 à 20 mm - Cable entry thread: M32x1,5

Maintenance space: 192 mm



A	744
B	370
C	390
D	200
E	320
F	90
G	28
N° HOLES	4
H	90
I	192
L	330
M	270
N	350