

## VIBRATOR TYPE: MVS1 10/3000E-S02 230/400 VOLTS THREE PHASES 50 Hz

ACBMV B. CASADIO VIBRATION  
 Z.I. Mi-Plaine  
 51 Rue Ampère  
 B.P. 31  
 69682 CHASSIEU CEDEX (FRANCE)  
 Tel.: 04 78 90 87 87 / Fax.: 04 78 90 87 88  
 Email: [vibrateur@orange.fr](mailto:vibrateur@orange.fr)  
 Internet: [acbmv.com](http://acbmv.com)

2 POLES - 3000 RPM      ATEX II 2G,D - Classe Ex e II T4/T3 tD A21 IP 66 ZONE 1-2 / 21-22  
 REF.: 6E2230A              Gas T°=T3-T4 Dust T°=135°C  
 SIZE: 70

Certifications:



### MECHANICAL AND ELECTRICAL SPECIFICATIONS

Eccentric weight setup (%)	Static moment (kgmm)	Working moment (kgcm)	Centrifugal force (kg)	Centrifugal force (kN)	Estimated bearings life time (hours)
100	2690,00	538,00	3007	29,50	67918
90	2421,00	484,20	2706	26,55	96532
80	2152,00	430,40	2406	23,60	>100000
70	1883,00	376,60	2105	20,65	>100000
60	1614,00	322,80	1804	17,70	>100000
50	1345,00	269,00	1504	14,75	>100000
40	1076,00	215,20	1203	11,80	>100000
30	807,00	161,40	902	8,85	>100000
20	538,00	107,60	601	5,90	>100000
10	269,00	53,80	301	2,95	>100000

Power supply (volts)	400
Phases:	three phases
Frequency (Hz)	50 Hz
Rotation speed (RPM)	1000
Max input power (watt)	Input: T3=2200 T4=1770 Rating: T3=1630 T4=1350
Max current (amp)	T3=4,28 T4=3,71
IS/IR	T3=4,82 T4=5,56

### DIMENSIONAL SPECIFICATIONS (mm)

**Vibrator weight: 145,0 kg**

Continual service ambient temperature: -20°C à +40°C - Tropicalization anti-mold - Mechanical protection: IP66 IK08 according to IEC

Bearing type: ROLLER

Lubrication LONG-LIFE with KLUEBER STABURAGS NBU 8EP.

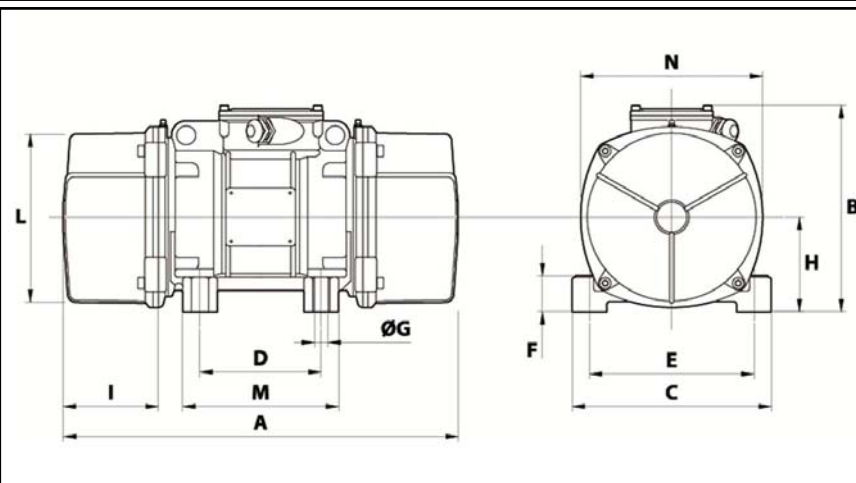
Re lubrication quantity after 1000 hours of using: 18g

Max quantity by replaced bearing: 32g

Fixing with 4 screws M22 - 7/8" quality 8.8 with tightening torque (kgm - ft/lb): 56 - 411

Power supply cable size: 9 à 16 mm - Cable entry thread: M25x1,5

Maintenance space: 201 mm



A	712
B	321
C	310
D	155
E	255
F	77
G	24
N° HOLES	4
H	77
I	201
L	277
M	215
N	295