


ACBMV B. CASADIO VIBRATION
 Z.I. Mi-Plaine
 51 Rue Ampère
 B.P. 31
 69682 CHASSIEU CEDEX (FRANCE)
 Tel.: 04 78 90 87 87 / Fax.: 04 78 90 87 88
 Email: vibrateur@orange.fr
 Internet: acbmv.com

2 POLES - 3000 RPM ATEX II 2G,D - Classe Ex e II T4/T3 tD A21 IP 66 ZONE 1-2 / 21-22
 REF.: 6E2349A Gas T°=T3-- Dust T°=135°C
 SIZE: 97

Certifications: 



MECHANICAL AND ELECTRICAL SPECIFICATIONS

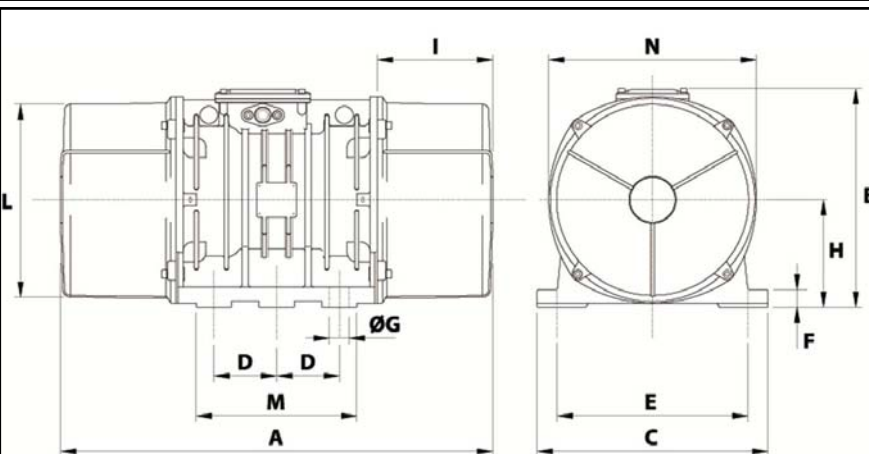
Eccentric weight setup (%)	Static moment (kgmm)	Working moment (kgcm)	Centrifugal force (kg)	Centrifugal force (kN)	Estimated bearings life time (hours)
100	9983,00	1996,60	11160	109,00	11096
90	8984,70	1796,94	10044	98,10	15765
80	7986,40	1597,28	8928	87,20	23345
70	6988,10	1397,62	7812	76,30	36434
60	5989,80	1197,96	6696	65,40	60906
50	4991,50	998,30	5580	54,50	>100000
40	3993,20	798,64	4464	43,60	>100000
30	2994,90	598,98	3348	32,70	>100000
20	1996,60	399,32	2232	21,80	>100000
10	998,30	199,66	1116	10,90	>100000

Power supply (volts)	400
Phases:	three phases
Frequency (Hz)	50 Hz
Rotation speed (RPM)	1000
Max input power (watt)	Input: T3=5400 T4=- Rating: T3=4500 T4=-
Max current (amp)	T3=9,98 T4=-
IS/IR	T3=6 T4=-

DIMENSIONAL SPECIFICATIONS (mm)

Vibrator weight: 405,0 kg

Continual service ambient temperature: -20°C à +40°C - Tropicalization anti-mold - Mechanical protection: IP66 IK08 according to IEC
 Bearing type: ROLLER
 Lubrication LONG-LIFE with KLUEBER STABURAGS NBU 8EP.
 Re lubrication quantity after 1000 hours of using: 90g
 Max quantity by replaced bearing: 180g
 Fixing with 6 screws M42 - 1 5/8" quality 8.8 with tightening torque (kgm - ft/lb): 290 - 2090
 Power supply cable size: 13 à 20 mm - Cable entry thread: M32x1,5
 Maintenance space: 255 mm



A	912
B	437
C	460
D	125
E	380
F	35
G	39
N° HOLES	6
H	35
I	255
L	387
M	320
N	414