

VIBRATOR TYPE: MVS1 10/810E-S08 230/400 VOLTS THREE PHASES 50 Hz

ACBMV B. CASADIO VIBRATION
 Z.I. Mi-Plaine
 51 Rue Ampère
 B.P. 31
 69682 CHASSIEU CEDEX (FRANCE)
 Tel.: 04 78 90 87 87 / Fax.: 04 78 90 87 88
 Email: vibrateur@orange.fr
 Internet: acbmv.com

2 POLES - 3000 RPM ATEX II 2G,D - Classe Ex e II T4/T3 tD A21 IP 66 ZONE 1-2 / 21-22
 REF.: 6E2380A Gas T°=T3-T4 Dust T°=135°C
 SIZE: 40

Certifications:



MECHANICAL AND ELECTRICAL SPECIFICATIONS

Eccentric weight setup (%)	Static moment (kgmm)	Working moment (kgcm)	Centrifugal force (kg)	Centrifugal force (kN)	Estimated bearings life time (hours)
100	723,00	144,60	809	7,94	11908
90	650,70	130,14	728	7,15	16341
80	578,40	115,68	647	6,35	23279
70	506,10	101,22	566	5,56	34772
60	433,80	86,76	485	4,76	55266
50	361,50	72,30	405	3,97	94912
40	289,20	57,84	324	3,18	>100000
30	216,90	43,38	243	2,38	>100000
20	144,60	28,92	162	1,59	>100000
10	72,30	14,46	81	0,79	>100000

Power supply (volts)	400
Phases:	three phases
Frequency (Hz)	50 Hz
Rotation speed (RPM)	1000
Max input power (watt)	Input: T3=680 T4=500 Rating: T3=448 T4=290
Max current (amp)	T3=1,33 T4=1,05
IS/IR	T3=2,78 T4=3,54

DIMENSIONAL SPECIFICATIONS (mm)

Vibrator weight: 48,0 kg

Continual service ambient temperature: -20°C à +40°C - Tropicalization anti-mold - Mechanical protection: IP66 IK08 according to IEC

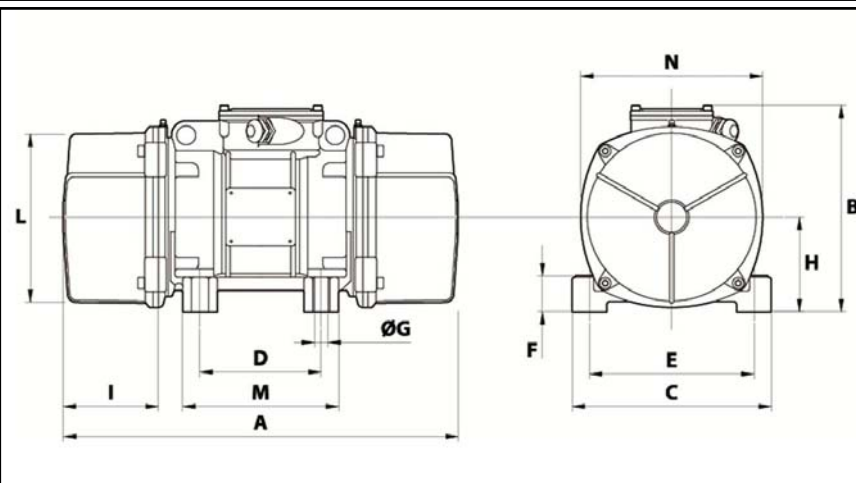
Bearing type: BALL

Lubrication "FOR LIFE" with double protection screen

Fixing with 4 screws M16 - 5/8" quality 8.8 with tightening torque (kgm - ft/lb): 19 - 137

Power supply cable size: 9 à 16 mm - Cable entry thread: M25x1,5

Maintenance space: 134 (50Hz) 108 (60Hz) mm



A	500
B	246
C	230
D	140
E	190
F	54
G	17
N° HOLES	4
H	54
I	134
L	207
M	190
N	225