

## VIBRATOR TYPE: MVS1 10/1400E-S08 230/400 VOLTS THREE PHASES 50 Hz

ACBMV B. CASADIO VIBRATION  
 Z.I. Mi-Plaine  
 51 Rue Ampère  
 B.P. 31  
 69682 CHASSIEU CEDEX (FRANCE)  
 Tel.: 04 78 90 87 87 / Fax.: 04 78 90 87 88  
 Email: [vibrateur@orange.fr](mailto:vibrateur@orange.fr)  
 Internet: [acbmv.com](http://acbmv.com)

2 POLES - 3000 RPM      ATEX II 2G,D - Classe Ex e II T4/T3 tD A21 IP 66 ZONE 1-2 / 21-22  
 REF.: 6E2382A              Gas T°=T3-T4 Dust T°=135°C  
 SIZE: 50

Certifications:



### MECHANICAL AND ELECTRICAL SPECIFICATIONS

Eccentric weight setup (%)	Static moment (kgmm)	Working moment (kgcm)	Centrifugal force (kg)	Centrifugal force (kN)	Estimated bearings life time (hours)
100	1274,00	254,80	1424	14,00	11531
90	1146,60	229,32	1282	12,60	15803
80	1019,20	203,84	1139	11,20	22533
70	891,80	178,36	997	9,80	33598
60	764,40	152,88	854	8,40	53459
50	637,00	127,40	712	7,00	92248
40	509,60	101,92	570	5,60	>100000
30	382,20	76,44	427	4,20	>100000
20	254,80	50,96	285	2,80	>100000
10	127,40	25,48	142	1,40	>100000

Power supply (volts)	400
Phases:	three phases
Frequency (Hz)	50 Hz
Rotation speed (RPM)	1000
Max input power (watt)	Input: T3=750 T4=480 Rating: T3=550 T4=300
Max current (amp)	T3=1,57 T4=1,24
IS/IR	T3=3,33 T4=4,23

### DIMENSIONAL SPECIFICATIONS (mm)

**Vibrator weight: 66,0 kg**

Continual service ambient temperature: -20°C à +40°C - Tropicalization anti-mold - Mechanical protection: IP66 IK08 according to IEC

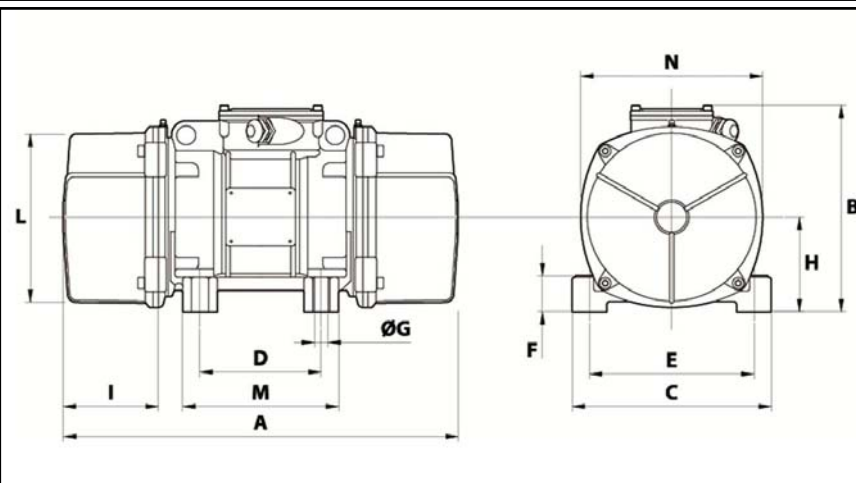
Bearing type: BALL

Lubrication "FOR LIFE" with double protection screen

Fixing with 4 screws M16 - 5/8" quality 8.8 with tightening torque (kgm - ft/lb): 19 - 137

Power supply cable size: 9 à 16 mm - Cable entry thread: M25x1,5

Maintenance space: 171 mm



A	574
B	246
C	230
D	140
E	190
F	54
G	17
N° HOLES	4
H	54
I	171
L	207
M	190
N	225