

## VIBRATOR TYPE: MVS1 10/1610E-S08 230/400 VOLTS THREE PHASES 50 Hz

ACBMV B. CASADIO VIBRATION  
 Z.I. Mi-Plaine  
 51 Rue Ampère  
 B.P. 31  
 69682 CHASSIEU CEDEX (FRANCE)  
 Tel.: 04 78 90 87 87 / Fax.: 04 78 90 87 88  
 Email: [vibrateur@orange.fr](mailto:vibrateur@orange.fr)  
 Internet: [acbm.com](http://acbm.com)

2 POLES - 3000 RPM      ATEX II 2G,D - Classe Ex e II T4/T3 tD A21 IP 66 ZONE 1-2 / 21-22  
 REF.: 6E2406A              Gas T°=T3-T4 Dust T°=135°C  
 SIZE: 60

Certifications:



### MECHANICAL AND ELECTRICAL SPECIFICATIONS

Eccentric weight setup (%)	Static moment (kgmm)	Working moment (kgcm)	Centrifugal force (kg)	Centrifugal force (kN)	Estimated bearings life time (hours)
100	1464,00	292,80	1638	16,10	45410
90	1317,60	263,52	1474	14,49	64547
80	1171,20	234,24	1310	12,88	95637
70	1024,80	204,96	1147	11,27	>100000
60	878,40	175,68	983	9,66	>100000
50	732,00	146,40	819	8,05	>100000
40	585,60	117,12	655	6,44	>100000
30	439,20	87,84	491	4,83	>100000
20	292,80	58,56	328	3,22	>100000
10	146,40	29,28	164	1,61	>100000

Power supply (volts)	400
Phases:	three phases
Frequency (Hz)	50 Hz
Rotation speed (RPM)	1000
Max input power (watt)	Input: T3=1100 T4=850 Rating: T3=825 T4=615
Max current (amp)	T3=2,09 T4=1,81
IS/IR	T3=3,63 T4=4,73

### DIMENSIONAL SPECIFICATIONS (mm)

**Vibrator weight: 83,0 kg**

Continual service ambient temperature: -20°C à +40°C - Tropicalization anti-mold - Mechanical protection: IP66 IK08 according to IEC

Bearing type: ROLLER

Lubrication LONG-LIFE with KLUEBER STABURAGS NBU 8EP.

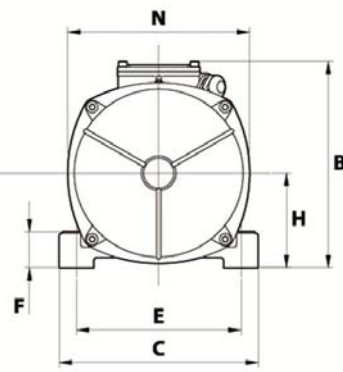
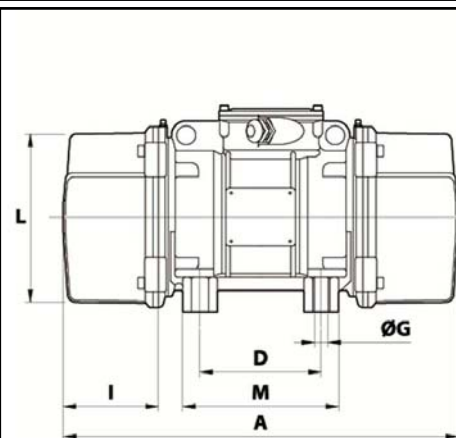
Re lubrication quantity after 1000 hours of using: 14g

Max quantity by replaced bearing: 30g

Fixing with 4 screws M20 - 13/16" quality 8.8 with tightening torque (kgm - ft/lb): 38 - 275

Power supply cable size: 9 à 16 mm - Cable entry thread: M25x1,5

Maintenance space: 177 (50Hz) 137 (60Hz) mm



A	617
B	272
C	275
D	155
E	225
F	70
G	22
N° HOLES	4
H	70
I	177
L	238
M	210
N	253
