

Ball vibrator type K8

ACBMV B. CASADIO VIBRATION
 Z.I. Mi-Plaine
 51 Rue Ampère
 B.P. 31
 69682 CHASSIEU CEDEX (FRANCE)
 Tel.: 04 78 90 87 87 / Fax.: 04 78 90 87 88
 Email: vibreur@orange.fr
 Internet: acbm.com

Description:
 Ball vibrators, simple and good. Wide range for many applications.

VIBRATING AND PNEUMATIC CHARACTERISTICS

	2 Bars/29 PSI	4 Bars/58 PSI	6 Bars/87 PSI
Frequency (RPM)	25500	31000	35000
Force (N)	130	260	360
Force (LBS)	29,28	58,56	81,08
Air cons. (l/min)	83	145	195
Air cons. (CF)	2,96	5,18	6,96

- Typical applications:**
- Emptying of bunkers
 - Screen filters
 - Vibrating tables
 - Preventing adhesions in pipelines and silos
 - Movement of goods

- Construction:**
- Vibration by means of a ball that is passed through hardened-steel guides.
 - Nylon plates on both sides to support the ball and as a protection from dust and water.
 - Housing with 4 mounting bores, depending on the application.

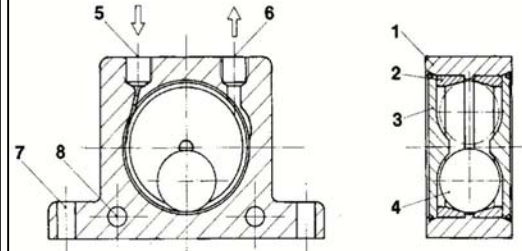
Properties:

- Powerful
- Rated frequency 25500 – 35000 RPM
- Centrifugal force 130 – 360 N
- Continuously variable (compressed air)
- Can be used at up to 100°C
- 150 °C on request

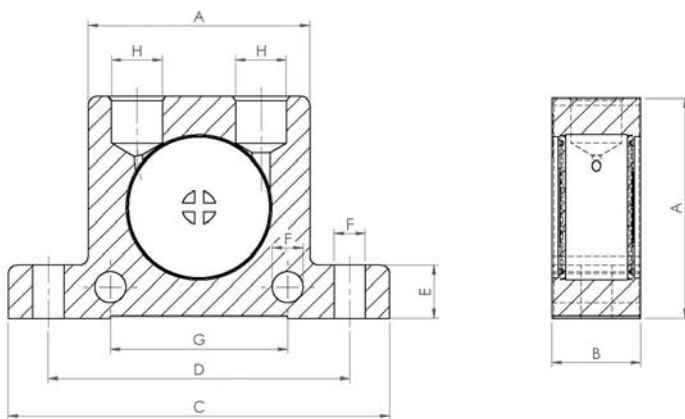


Design:

- 1 Housing made from extruded aluminium alloy
- 2 Hardened guides made of steel
- 3 Nylon end plates
- 4 Hardened ball
- 5 Air inlet
- 6 Air outlet
- 7 Base mounting bores
- 8 Sideways fitting bores



DIMENSIONAL SPECIFICATIONS



	mm	inch
A	50	1,97
B	20	0,79
C	86	3,39
D	68	2,68
E	12	0,47
F	7	0,28
G	40	40
H	G 1/4"	G 1/4"
	kg	LBS
Vibrator weight	0,13	0,289