

## Roller vibratortype R50

ACBMV B. CASADIO VIBRATION  
Z.I. Mi-Plaine  
51 Rue Ampère  
B.P. 31  
69682 CHASSIEU CEDEX (FRANCE)  
Tel.: 04 78 90 87 87 / Fax.: 04 78 90 87 88  
Email: vibrateur@orange.fr  
Internet: acbm.com

### Description:

Simply constructed high-frequency roller vibrators, wide range for many applications.

### VIBRATING AND PNEUMATIC CHARACTERISTICS

	2 Bars/29 PSI	4 Bars/58 PSI	6 Bars/87 PSI
Frequency (RPM)	25000	35000	36000
Force (N)	1070	2920	4220
Force (LBS)	240,99	657,66	950,45
Air cons. (l/min)	100	145	195
Air cons. (CF)	3,57	5,18	6,96

### Typical applications:

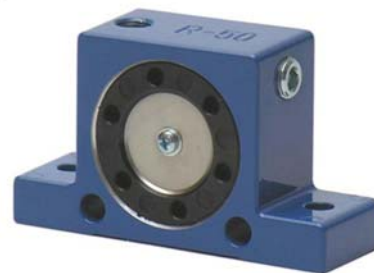
- Emptying of hoppers and chutes
- Screen filters
- Conveying of particulates
- Preventing adhesions in pipelines and silos
- Transport of fine powders
- Compacting of plastic and concrete in troughs

### Construction:

- Vibration created by a rotating precision-steel roller
- Shockproof plastic end plates
- Housing with 4 mounting bores, depending on the application

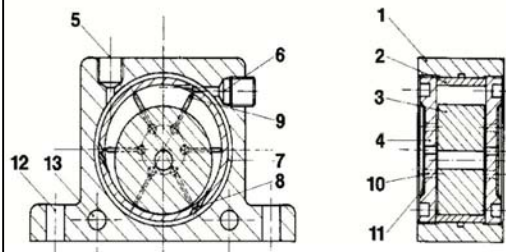
### Properties:

- High motive power
- Rated frequency 25000 – 36000 RPM
- Centrifugal force 1070 – 4220 N
- Continuously variable (compressed air)
- Can be used at up to 150°C
- Resistant to extreme environmental conditions

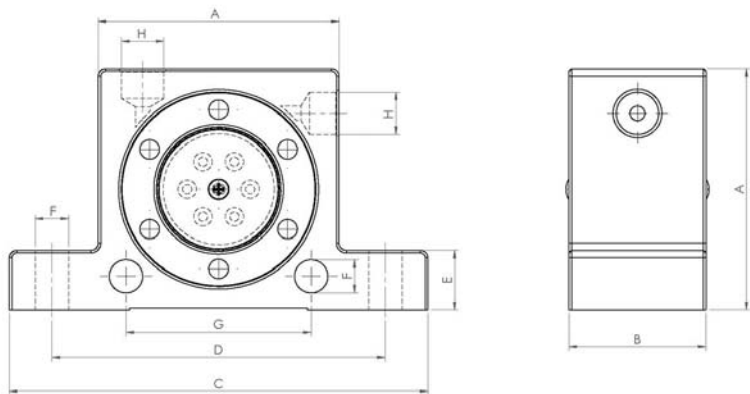


### Design:

- 1 Housing made from extruded aluminium alloy
- 2 Cast iron strip
- 3 Steel roller
- 4 Plastic end plates
- 5 Vertical air entry
- 6 Horizontal air entry
- 7 Air channel
- 8 Air supply nozzles
- 9 Outlet openings
- 10 Outlet diffuser
- 11 Sound absorber plate
- 12 Base mounting bores



### DIMENSIONAL SPECIFICATIONS



	mm	inch
A	50	1,97
B	29	1,14
C	86	3,39
D	68	2,68
E	12	0,47
F	7	0,28
G	40	40
H	G 1/8"	G 1/8"
	kg	LBS
Vibrator weight	0,24	0,533