

TECHNICAL DATA SHEET PNEUMATIC VIBRATOR

Roller vibratortype R100

ACBMV B. CASADIO VIBRATION
 Z.I. Mi-Plaine
 51 Rue Ampère
 B.P. 31
 69682 CHASSIEU CEDEX (FRANCE)
 Tel.: 04 78 90 87 87 / Fax.: 04 78 90 87 88
 Email: vibrateur@orange.fr
 Internet: acbm.com

Description:

Simply constructed high-frequency roller vibrators, wide range for many applications.

VIBRATING AND PNEUMATIC CARACTERISTICS

	2 Bars/29 PSI	4 Bars/58 PSI	6 Bars/87 PSI
Frequency (RPM)	11000	14000	16000
Force (N)	3750	6750	8900
Force (LBS)	844,59	1520,27	2004,50
Air cons. (l/min)	370	550	730
Air cons. (CF)	13,21	19,64	26,07

Typical applications:

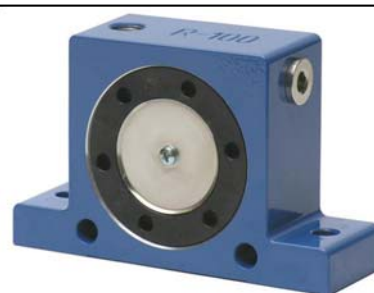
- Emptying of hoppers and chutes
- Screen filters
- Conveying of particulates
- Preventing adhesions in pipelines and silos
- Transport of fine powders
- Compacting of plastic and concrete in troughs

Construction:

- Vibration created by a rotating precision-steel roller
- Shockproof plastic end plates
- Housing with 4 mounting bores, depending on the application

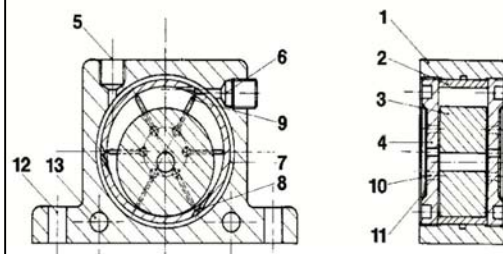
Properties:

- High motive power
- Rated frequency 11000 – 16000 RPM
- Centrifugal force 3750 – 8900 N
- Continuously variable (compressed air)
- Can be used at up to 150°C
- Resistant to extreme environmental conditions

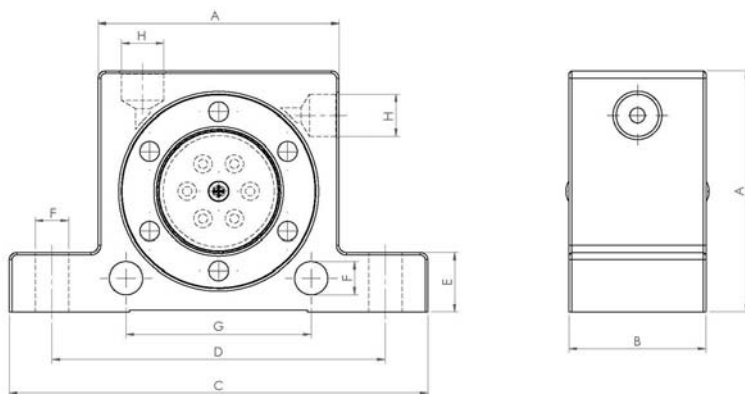


Design:

- 1 Housing made from extruded aluminium alloy
- 2 Cast iron strip
- 3 Steel roller
- 4 Plastic end plates
- 5 Vertical air entry
- 6 Horizontal air entry
- 7 Air channel
- 8 Air supply nozzles
- 9 Outlet openings
- 10 Outlet diffuser
- 11 Sound absorber plate
- 12 Base mounting bores



DIMENSIONAL SPECIFICATIONS



	mm	inch
A	100	3,94
B	52	2,05
C	160	6,30
D	130	5,12
E	20	0,79
F	11	0,43
G	80	80
H	G 3/8"	G 3/8"
	kg	LBS
Vibrator weight	1,81	4,022