

Knocker vibrator type FKL200SI EX

CE EX II 2 G/D c T6 T85°C

ACBMV B. CASADIO VIBRATION
 Z.I. Mi-Plaine
 51 Rue Ampère
 B.P. 31
 69682 CHASSIEU CEDEX (FRANCE)
 Tel.: 04 78 90 87 87 / Fax.: 04 78 90 87 88
 Email: vibrateur@orange.fr
 Internet: acbm.com

Description:
 For powerful impacts at low operating pressure.

VIBRATING AND PNEUMATIC CHARACTERISTICS

	4,2 Bars/60,9 PSI	7,5 Bars/108,75 PSI	
Working/strike (Nm)	100	200	
Impulsion/strike (Ns)	1	57,5	
Air cons. (l/min)	2,2	3,3	
Air cons. (CF)	0,08	0,12	

Typical applications:
 Wide range of uses, including in the open air, and in wet or explosion risk areas. For knocking off material adhesions on container walls, such as in silos, hoppers, filter outlets, reactors and pipelines.

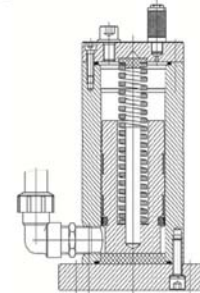
Construction:
 Compressed air pushes a piston against a spring. When air pressure is rapidly vented, the piston shoots against a baffle plate. Mechanical impact regulation is provided by limiting the piston's stroke by means of an inserted threaded rod. Knocker housing

Properties:

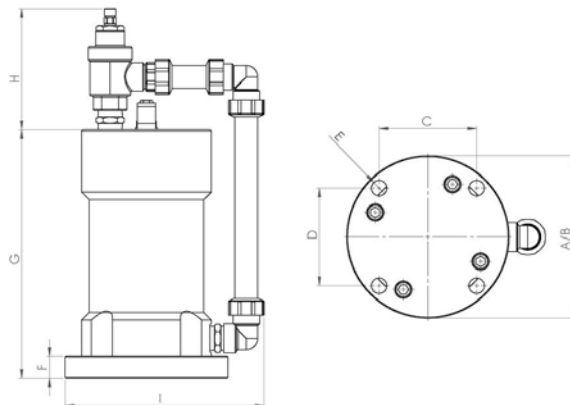
- Wide range of settings for impact power and interval
- Impact force can be set pneumatically and/or by mechanical means
- Flexible range of applications

Design:

Housing made of hard-anodized aluminium alloy
 Steel piston
 Baffle plate made of impact-resistant plastic



DIMENSIONAL SPECIFICATIONS



	mm	inch
A	179	7,05
B	179	7,05
C	107,5	4,24
D	107,5	4,24
E	17	0,67
F	24	0,95
G	274	10,80
H	133	5,24
I	219	8,63
	kg	LBS
Vibrator weight	14,8	32,889