

ACBMV B. CASADIO VIBRATION  
 Z.I. Mi-Plaine  
 51 Rue Ampère  
 B.P. 31  
 69682 CHASSIEU CEDEX (FRANCE)  
 Tel.: 04 78 90 87 87 / Fax.: 04 78 90 87 88  
 Email: [vibrateur@orange.fr](mailto:vibrateur@orange.fr)  
 Internet: [acbmv.com](http://acbmv.com)

2 POLES - 3000 RPM  
 REF.: 600328A  
 SIZE: 00

Certifications:



### MECHANICAL AND ELECTRICAL SPECIFICATIONS

Eccentric weight setup (%)	Static moment (kgmm)	Working moment (kgcm)	Centrifugal force (kg)	Centrifugal force (kN)	Estimated bearings life time (hours)
100	12	2,40	121	1,19	20421
90	10,80	2,16	109	1,07	27935
80	9,60	1,92	97	0,95	39639
70	8,40	1,68	85	0,83	58908
60	7,20	1,44	73	0,71	92996
50	6,00	1,20	61	0,60	>100000
40	4,80	0,96	48	0,48	>100000
30	3,60	0,72	36	0,36	>100000
20	2,40	0,48	24	0,24	>100000
10	1,20	0,24	12	0,12	>100000

Power supply (volts)	400
Phases:	three phases
Frequency (Hz)	50 Hz
Rotation speed (RPM)	3000
Max input power (watt)	180
Max current (amp)	0,35
IS/IR	2,68

### DIMENSIONAL SPECIFICATIONS (mm)

**Vibrator weight: 7,8 kg**

Continual service ambient temperature: -20°C à +40°C - Tropicalization anti-mold - Mechanical protection: IP66 IK08 according to IEC

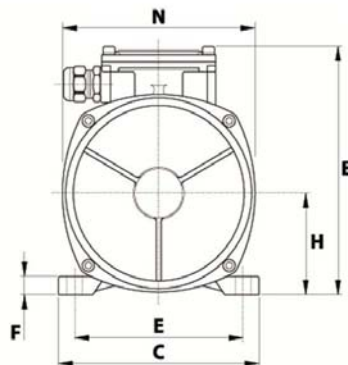
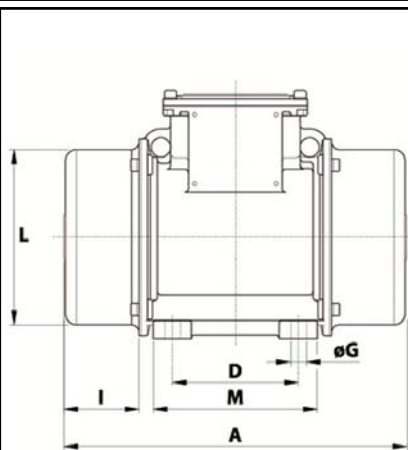
Bearing type: BALL

Lubrication "FOR LIFE" with double protection screen

Fixing with 4 screws M8 - 5/16" quality 8.8 with tightening torque (kgm - ft/lb): 2.30 - 16.50

Power supply cable size: 6.5 à 12 mm - Cable entry thread: M20x1,5

Maintenance space: 45 mm



A	209
B	151
C	125
D	62-74**
E	106
F	10
G	9
N° HOLES	4
H	61
I	45
L	100
M	102
N	117

**					
Slot					