

ACBMV B. CASADIO VIBRATION
 Z.I. Mi-Plaine
 51 Rue Ampère
 B.P. 31
 69682 CHASSIEU CEDEX (FRANCE)
 Tel.: 04 78 90 87 87 / Fax.: 04 78 90 87 88
 Email: vibrateur@orange.fr
 Internet: acbmv.com

2 POLES - 3600 RPM
 REF.: 600330C
 SIZE: 10

Certifications:



MECHANICAL AND ELECTRICAL SPECIFICATIONS

Eccentric weight setup (%)	Static moment (kgmm)	Working moment (kgcm)	Centrifugal force (kg)	Centrifugal force (kN)	Estimated bearings life time (hours)
100	20,4	4,08	297	2,91	3238
90	18,36	3,67	267	2,62	4457
80	16,32	3,26	238	2,33	6292
70	14,28	2,86	208	2,04	9427
60	12,24	2,45	178	1,75	15041
50	10,20	2,04	149	1,46	25644
40	8,16	1,63	119	1,16	50339
30	6,12	1,22	89	0,87	>100000
20	4,08	0,82	59	0,58	>100000
10	2,04	0,41	30	0,29	>100000

Power supply (volts)	260
Phases:	single phase
Frequency (Hz)	60 Hz
Rotation speed (RPM)	3600
Max input power (watt)	280
Max current (amp)	2,4
IS/IR	3,52

DIMENSIONAL SPECIFICATIONS (mm)

Vibrator weight: 12 kg

Continual service ambient temperature: -20°C à +40°C - Tropicalization anti-mold - Mechanical protection: IP66 IK08 according to IEC

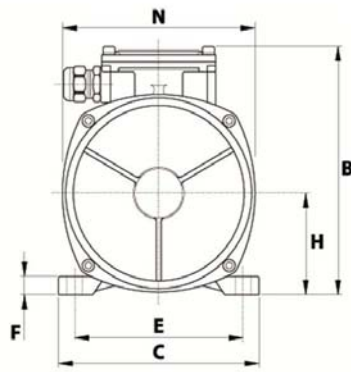
Bearing type: BALL

Lubrication "FOR LIFE" with double protection screen

Fixing with 4 screws M12 - 1/2" quality 8.8 with tightening torque (kgm - ft/lb): 8 - 58

Power supply cable size: 6.5 à 12 mm - Cable entry thread: M20x1,5

Maintenance space: 54 mm



A	255
B	176
C	152
D	90
E	125
F	12
G	13
N° HOLES	4
H	73
I	54
L	124
M	122
N	141