

ACBMV B. CASADIO VIBRATION
 Z.I. Mi-Plaine
 51 Rue Ampère
 B.P. 31
 69682 CHASSIEU CEDEX (FRANCE)
 Tel.: 04 78 90 87 87 / Fax.: 04 78 90 87 88
 Email: vibrateur@orange.fr
 Internet: acbmv.com

2 POLES - 3600 RPM
 REF.: 600334C
 SIZE: 40

Certifications:



MECHANICAL AND ELECTRICAL SPECIFICATIONS

Eccentric weight setup (%)	Static moment (kgmm)	Working moment (kgcm)	Centrifugal force (kg)	Centrifugal force (kN)	Estimated bearings life time (hours)
100	102	20,40	1483	14,50	1686
90	91,80	18,36	1335	13,05	2394
80	81,60	16,32	1186	11,60	3551
70	71,40	14,28	1038	10,15	5538
60	61,20	12,24	890	8,70	9248
50	51,00	10,20	742	7,25	16956
40	40,80	8,16	593	5,80	35794
30	30,60	6,12	445	4,35	93210
20	20,40	4,08	297	2,90	>100000
10	10,20	2,04	148	1,45	>100000

Power supply (volts)	460
Phases:	three phases
Frequency (Hz)	60 Hz
Rotation speed (RPM)	3600
Max input power (watt)	1450
Max current (amp)	2
IS/IR	6,12

DIMENSIONAL SPECIFICATIONS (mm)

Vibrator weight: 38 kg

Continual service ambient temperature: -20°C à +40°C - Tropicalization anti-mold - Mechanical protection: IP66 IK08 according to IEC

Bearing type: ROLLER

Lubrication LONG-LIFE with KLUEBER ISOFLEX NBU 15.

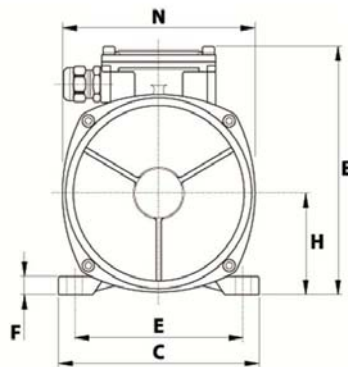
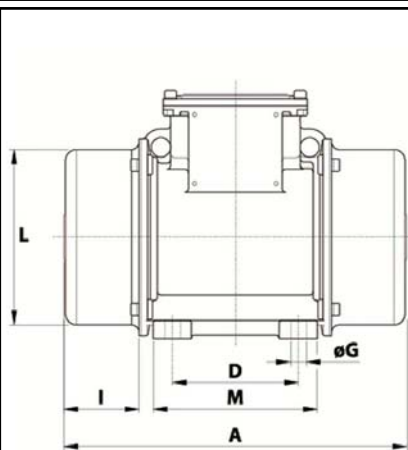
Re lubrication quantity after 1000 hours of using: 9g

Max quantity by replaced bearing: 16g

Fixing with 4 screws M16 - 5/8" quality 8.8 with tightening torque (kgm - ft/lb): 19 - 137

Power supply cable size: 9 à 16 mm - Cable entry thread: M25x1,5

Maintenance space: 103 mm



A	438
B	245
C	230
D	140
E	190
F	25
G	17
N° HOLES	4
H	116
I	103
L	201
M	180
N	225

--	--	--	--	--	--