

ACBMV B. CASADIO VIBRATION
 Z.I. Mi-Plaine
 51 Rue Ampère
 B.P. 31
 69682 CHASSIEU CEDEX (FRANCE)
 Tel.: 04 78 90 87 87 / Fax.: 04 78 90 87 88
 Email: vibrateur@orange.fr
 Internet: acbmv.com

2 POLES - 3000 RPM ATEX II 2D tD A21 IP 66 ZONE 21-22
 REF.: 600369A Dust T°=120°C
 SIZE: 01

Certifications:



MECHANICAL AND ELECTRICAL SPECIFICATIONS

Eccentric weight setup (%)	Centrifugal force weight up/down (kg)	Static moment weight	Centrifugal force weight up/down (kN)	Static moment weight up (kgmm)	Estimated bearings life time (hours)
100	106/75	7,5	1,04/0,74	10,4	5000
90	95,4/67,5	6,75	0,94/0,67	9,36	6859
80	84,8/60	6,00	0,83/0,59	8,32	9766
70	74,2/52,5	5,25	0,73/0,52	7,28	14577
60	63,6/45	4,50	0,62/0,44	6,24	23148
50	53/37,5	3,75	0,52/0,37	5,20	40000
40	42,4/30	3,00	0,42/0,30	4,16	78125
30	31,8/22,5	2,25	0,31/0,22	3,12	>100000
20	21,2/15	1,50	0,21/0,15	2,08	>100000
10	10,6/7,5	0,75	0,10/0,07	1,04	>100000

Power supply (volts)	400
Phases:	three phases
Frequency (Hz)	50 Hz
Rotation speed (RPM)	3000
Max input power (watt)	180
Max current (amp)	0,35
IS/IR	2,68

DIMENSIONAL SPECIFICATIONS (mm)

Vibrator weight: 7,5 kg

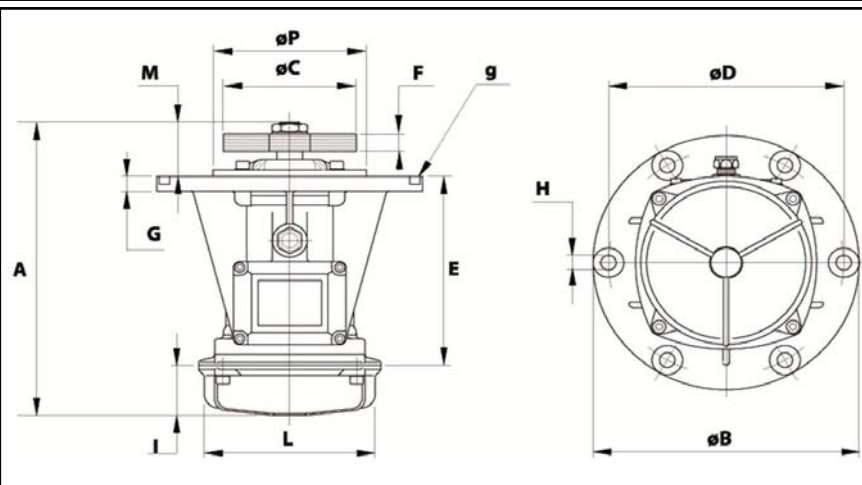
Continual service ambient temperature: -20°C à +40°C - Tropicalization anti-mold - Mechanical protection: IP66 IK08 according to IEC

Bearing type: BALL

Lubrication "FOR LIFE" with double protection screen

Fixing with 4 screws M10 - 7/16" quality 8.8 with tightening torque (kgm - ft/lb): 4.80 - 35

Power supply cable size: 6.5 à 12 mm - Cable entry thread: M20x1,5



A	225,5
B	211,5
C	92
D	188
H	12
N° TROUS	4
E	144
F	21 (50Hz) 15 (60Hz)
G	10
I	58
L	103
M	23,5
P	-