

ACBMV B. CASADIO VIBRATION
 Z.I. Mi-Plaine
 51 Rue Ampère
 B.P. 31
 69682 CHASSIEU CEDEX (FRANCE)
 Tel.: 04 78 90 87 87 / Fax.: 04 78 90 87 88
 Email: vibrateur@orange.fr
 Internet: acbm.com

2 POLES - 3600 RPM ATEX II 2D tD A21 IP 66 ZONE 21-22
 REF.: 600369C Dust T°=120°C
 SIZE: 01

Certifications:



MECHANICAL AND ELECTRICAL SPECIFICATIONS

Eccentric weight setup (%)	Centrifugal force weight up/down (kg)	Static moment weight	Centrifugal force weight up/down (kN)	Static moment weight up (kgmm)	Estimated bearings life time (hours)
100	109/109	7,5	1,07/1,07	7,5	2600
90	98,1/98,1	6,75	0,96/0,96	6,75	3567
80	87,2/87,2	6,00	0,86/0,86	6,00	5078
70	76,3/76,3	5,25	0,75/0,75	5,25	7580
60	65,4/65,4	4,50	0,64/0,64	4,50	12037
50	54,5/54,5	3,75	0,54/0,54	3,75	20800
40	43,6/43,6	3,00	0,43/0,43	3,00	40625
30	32,7/32,7	2,25	0,32/0,32	2,25	96296
20	21,8/21,8	1,50	0,21/0,21	1,50	>100000
10	10,9/10,9	0,75	0,11/0,11	0,75	>100000

Power supply (volts)	460
Phases:	three phases
Frequency (Hz)	60 Hz
Rotation speed (RPM)	3600
Max input power (watt)	180
Max current (amp)	0,3
IS/IR	3

DIMENSIONAL SPECIFICATIONS (mm)

Vibrator weight: 7,3 kg

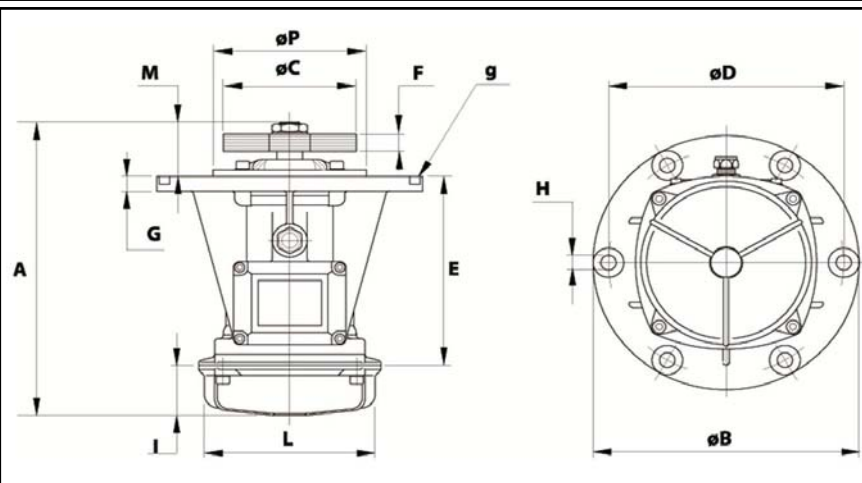
Continual service ambient temperature: -20°C à +40°C - Tropicalization anti-mold - Mechanical protection: IP66 IK08 according to IEC

Bearing type: BALL

Lubrication "FOR LIFE" with double protection screen

Fixing with 4 screws M10 - 7/16" quality 8.8 with tightening torque (kgm - ft/lb): 4.80 - 35

Power supply cable size: 6.5 à 12 mm - Cable entry thread: M20x1,5



A	225,5
B	211,5
C	92
D	188
H	12
N° TROUS	4
E	144
F	21 (50Hz) 15 (60Hz)
G	10
I	58
L	103
M	23,5
P	-