

ACBMV B. CASADIO VIBRATION
 Z.I. Mi-Plaine
 51 Rue Ampère
 B.P. 31
 69682 CHASSIEU CEDEX (FRANCE)
 Tel.: 04 78 90 87 87 / Fax.: 04 78 90 87 88
 Email: vibrateur@orange.fr
 Internet: acbm.com

2 POLES - 3000 RPM ATEX II 2D tD A21 IP 66 ZONE 21-22
 REF.: 600370A Dust T°=120°C
 SIZE: 10

Certifications:



MECHANICAL AND ELECTRICAL SPECIFICATIONS

Eccentric weight setup (%)	Centrifugal force weight up/down (kg)	Static moment weight	Centrifugal force weight up/down (kN)	Static moment weight up (kgmm)	Estimated bearings life time (hours)
100	151/103	10,2	1,48/1,01	15	8000
90	135,9/92,7	9,18	1,33/0,91	13,50	10974
80	120,8/82,4	8,16	1,18/0,81	12,00	15625
70	105,7/72,1	7,14	1,04/0,71	10,50	23324
60	90,6/61,8	6,12	0,89/0,61	9,00	37037
50	75,5/51,5	5,10	0,74/0,51	7,50	64000
40	60,4/41,2	4,08	0,59/0,40	6,00	>100000
30	45,3/30,9	3,06	0,44/0,30	4,50	>100000
20	30,2/20,6	2,04	0,30/0,20	3,00	>100000
10	15,1/10,3	1,02	0,15/0,10	1,50	>100000

Power supply (volts)	400
Phases:	three phases
Frequency (Hz)	50 Hz
Rotation speed (RPM)	3000
Max input power (watt)	260
Max current (amp)	0,6
IS/IR	3,47

DIMENSIONAL SPECIFICATIONS (mm)

Vibrator weight: 11,2 kg

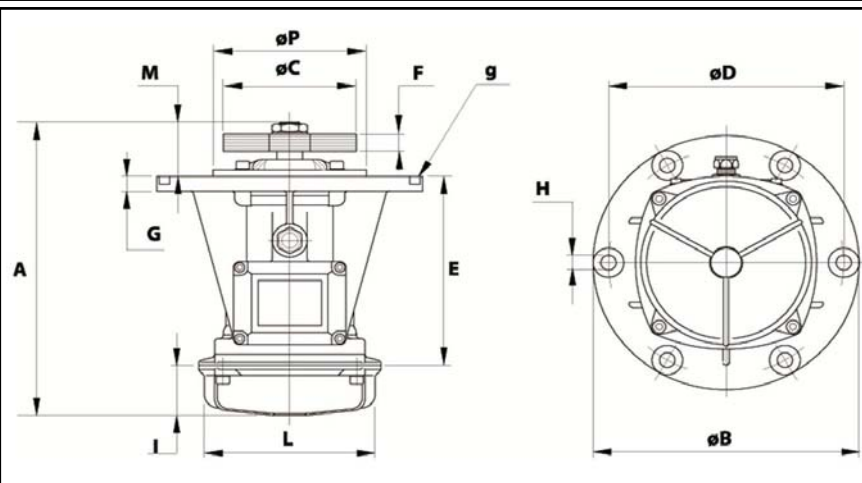
Continual service ambient temperature: -20°C à +40°C - Tropicalization anti-mold - Mechanical protection: IP66 IK08 according to IEC

Bearing type: BALL

Lubrication "FOR LIFE" with double protection screen

Fixing with 4 screws M10 - 7/16" quality 8.8 with tightening torque (kgm - ft/lb): 4.80 - 35

Power supply cable size: 6.5 à 12 mm - Cable entry thread: M20x1,5



A	247
B	215
C	110
D	187
H	12
N° TROUS	4
E	179,5
F	18 (50Hz) 12 (60Hz)
G	13
I	54
L	127
M	13,5
P	-