

ACBMV B. CASADIO VIBRATION  
 Z.I. Mi-Plaine  
 51 Rue Ampère  
 B.P. 31  
 69682 CHASSIEU CEDEX (FRANCE)  
 Tel.: 04 78 90 87 87 / Fax.: 04 78 90 87 88  
 Email: [vibrateur@orange.fr](mailto:vibrateur@orange.fr)  
 Internet: [acbm.com](http://acbm.com)

2 POLES - 3000 RPM      ATEX II 2D tD A21 IP 66 ZONE 21-22  
 REF.: 600370M              Dust T°=120°C  
 SIZE: 10

Certifications:



### MECHANICAL AND ELECTRICAL SPECIFICATIONS

| Eccentric weight setup (%) | Centrifugal force weight up/down (kg) | Static moment weight | Centrifugal force weight up/down (kN) | Static moment weight up (kgmm) | Estimated bearings life time (hours) |
|----------------------------|---------------------------------------|----------------------|---------------------------------------|--------------------------------|--------------------------------------|
| 100                        | 151/103                               | 10,2                 | 1,48/1,01                             | 15                             | 8000                                 |
| 90                         | 135,9/92,7                            | 9,18                 | 1,33/0,91                             | 13,50                          | 10974                                |
| 80                         | 120,8/82,4                            | 8,16                 | 1,18/0,81                             | 12,00                          | 15625                                |
| 70                         | 105,7/72,1                            | 7,14                 | 1,04/0,71                             | 10,50                          | 23324                                |
| 60                         | 90,6/61,8                             | 6,12                 | 0,89/0,61                             | 9,00                           | 37037                                |
| 50                         | 75,5/51,5                             | 5,10                 | 0,74/0,51                             | 7,50                           | 64000                                |
| 40                         | 60,4/41,2                             | 4,08                 | 0,59/0,40                             | 6,00                           | >100000                              |
| 30                         | 45,3/30,9                             | 3,06                 | 0,44/0,30                             | 4,50                           | >100000                              |
| 20                         | 30,2/20,6                             | 2,04                 | 0,30/0,20                             | 3,00                           | >100000                              |
| 10                         | 15,1/10,3                             | 1,02                 | 0,15/0,10                             | 1,50                           | >100000                              |

|                        |              |
|------------------------|--------------|
| Power supply (volts)   | 400          |
| Phases:                | single phase |
| Frequency (Hz)         | 50 Hz        |
| Rotation speed (RPM)   | 3000         |
| Max input power (watt) | 280          |
| Max current (amp)      | 1,25         |
| IS/IR                  | 2,48         |

### DIMENSIONAL SPECIFICATIONS (mm)

**Vibrator weight: 11,2 kg**

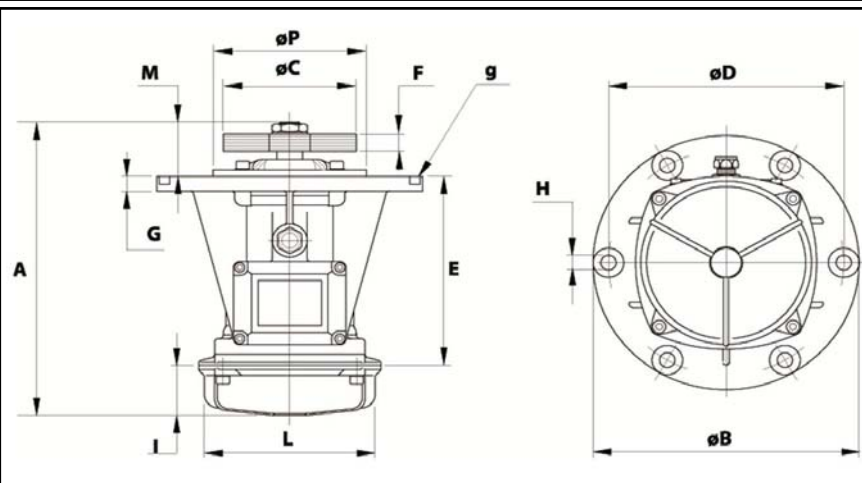
Continual service ambient temperature: -20°C à +40°C - Tropicalization anti-mold - Mechanical protection: IP66 IK08 according to IEC

Bearing type: BALL

Lubrication "FOR LIFE" with double protection screen

Fixing with 4 screws M10 - 7/16" quality 8.8 with tightening torque (kgm - ft/lb): 4.80 - 35

Power supply cable size: 6.5 à 12 mm - Cable entry thread: M20x1,5



|          |                     |
|----------|---------------------|
| A        | 247                 |
| B        | 215                 |
| C        | 110                 |
| D        | 187                 |
| H        | 12                  |
| N° TROUS | 4                   |
| E        | 179,5               |
| F        | 18 (50Hz) 12 (60Hz) |
| G        | 13                  |
| I        | 54                  |
| L        | 127                 |
| M        | 13,5                |
| P        | -                   |
|          |                     |
|          |                     |