

ACBMV B. CASADIO VIBRATION
 Z.I. Mi-Plaine
 51 Rue Ampère
 B.P. 31
 69682 CHASSIEU CEDEX (FRANCE)
 Tel.: 04 78 90 87 87 / Fax.: 04 78 90 87 88
 Email: vibrateur@orange.fr
 Internet: acbmv.com

2 POLES - 3000 RPM ATEX II 2D tD A21 IP 66 ZONE 21-22
 REF.: 600375A Dust T°=120°C
 SIZE: 00

Certifications:



MECHANICAL AND ELECTRICAL SPECIFICATIONS

| Eccentric weight setup (%) | Centrifugal force weight up/down (kg) | Static moment weight | Centrifugal force weight up/down (kN) | Static moment weight up (kgmm) | Estimated bearings life time (hours) |
|----------------------------|---------------------------------------|----------------------|---------------------------------------|--------------------------------|--------------------------------------|
| 100 | 31/31 | 3 | 0,30/0,30 | 3 | >100000 |
| 90 | 27,9/27,9 | 2,70 | 0,27/0,27 | 2,70 | >100000 |
| 80 | 24,8/24,8 | 2,40 | 0,24/0,24 | 2,40 | >100000 |
| 70 | 21,7/21,7 | 2,10 | 0,21/0,21 | 2,10 | >100000 |
| 60 | 18,6/18,6 | 1,80 | 0,18/0,18 | 1,80 | >100000 |
| 50 | 15,5/15,5 | 1,50 | 0,15/0,15 | 1,50 | >100000 |
| 40 | 12,4/12,4 | 1,20 | 0,12/0,12 | 1,20 | >100000 |
| 30 | 9,3/9,3 | 0,90 | 0,09/0,09 | 0,90 | >100000 |
| 20 | 6,2/6,2 | 0,60 | 0,06/0,06 | 0,60 | >100000 |
| 10 | 3,1/3,1 | 0,30 | 0,03/0,03 | 0,30 | >100000 |

| | |
|------------------------|--------------|
| Power supply (volts) | 400 |
| Phases: | three phases |
| Frequency (Hz) | 50 Hz |
| Rotation speed (RPM) | 3000 |
| Max input power (watt) | 120 |
| Max current (amp) | 0,27 |
| IS/IR | 3,43 |

DIMENSIONAL SPECIFICATIONS (mm)

Vibrator weight: 5,4 kg

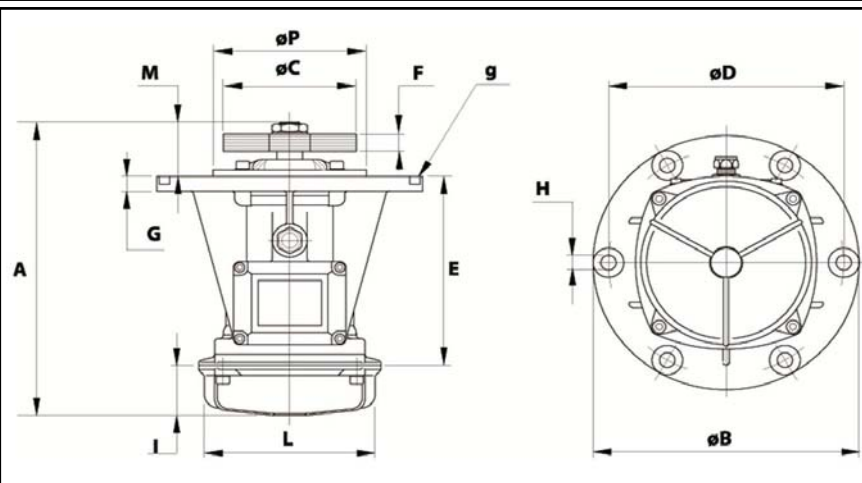
Continual service ambient temperature: -20°C à +40°C - Tropicalization anti-mold - Mechanical protection: IP66 IK08 according to IEC

Bearing type: BALL

Lubrication "FOR LIFE" with double protection screen

Fixing with 4 screws M8 - 5/16" quality 8.8 with tightening torque (kgm - ft/lb): 2.30 - 16.50

Power supply cable size: 6.5 à 12 mm - Cable entry thread: M20x1,5



| | |
|----------|-----|
| A | 189 |
| B | 130 |
| C | 86 |
| D | 109 |
| H | 8,5 |
| N° TROUS | 4 |
| E | 132 |
| F | 7,5 |
| G | 10 |
| I | 36 |
| L | 96 |
| M | 22 |
| P | - |
| | |
| | |
| | |