

ACBMV B. CASADIO VIBRATION
 Z.I. Mi-Plaine
 51 Rue Ampère
 B.P. 31
 69682 CHASSIEU CEDEX (FRANCE)
 Tel.: 04 78 90 87 87 / Fax.: 04 78 90 87 88
 Email: vibrateur@orange.fr
 Internet: acbmv.com

2 POLES - 3000 RPM ATEX II 2D tD A21 IP 66 ZONE 21-22
 REF.: 600380A Dust T°=120°C
 SIZE: 30

Certifications:



MECHANICAL AND ELECTRICAL SPECIFICATIONS

Eccentric weight setup (%)	Centrifugal force weight up/down (kg)	Static moment weight	Centrifugal force weight up/down (kN)	Static moment weight up (kgmm)	Estimated bearings life time (hours)
100	393/262	39,1	3,86/2,57	39,1	12391
90	353,7/235,8	35,19	3,47/2,31	35,19	17605
80	314,4/209,6	31,28	3,09/2,06	31,28	26070
70	275,1/183,4	27,37	2,70/1,80	27,37	40686
60	235,8/157,2	23,46	2,32/1,54	23,46	68015
50	196,5/131	19,55	1,93/1,29	19,55	>100000
40	157,2/104,8	15,64	1,54/1,03	15,64	>100000
30	117,9/78,6	11,73	1,16/0,77	11,73	>100000
20	78,6/52,4	7,82	0,77/0,51	7,82	>100000
10	39,3/26,2	3,91	0,39/0,26	3,91	>100000

Power supply (volts)	400
Phases:	three phases
Frequency (Hz)	50 Hz
Rotation speed (RPM)	3000
Max input power (watt)	650
Max current (amp)	1,1
IS/IR	3,83

DIMENSIONAL SPECIFICATIONS (mm)

Vibrator weight: 17 kg

Continual service ambient temperature: -20°C à +40°C - Tropicalization anti-mold - Mechanical protection: IP66 IK08 according to IEC

Bearing type: ROLLER

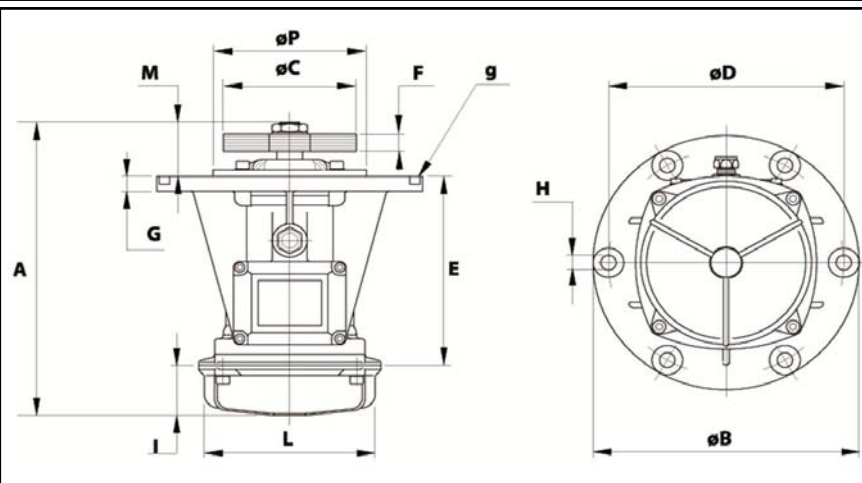
Lubrication LONG-LIFE with KLUEBER ISOFLEX NBU 15.

Re lubrication quantity after 1000 hours of using: 8g

Max quantity by replaced bearing: 4g

Fixing with 6 screws M12 - 1/2" quality 8.8 with tightening torque (kgm - ft/lb): 13 - 94

Power supply cable size: 9 à 16 mm - Cable entry thread: M25x1,5



A	301
B	260
C	150 (50Hz) 132 (60Hz)
D	230
H	15
N° TROUS	6
E	182
F	18
G	15
I	63
L	170
M	56
P	150