

ACBMV B. CASADIO VIBRATION
 Z.I. Mi-Plaine
 51 Rue Ampère
 B.P. 31
 69682 CHASSIEU CEDEX (FRANCE)
 Tel.: 04 78 90 87 87 / Fax.: 04 78 90 87 88
 Email: vibrateur@orange.fr
 Internet: acbmv.com

3000 RPM
 REF.: 600428K

Certifications:



MECHANICAL AND ELECTRICAL SPECIFICATIONS

Eccentric weight setup (%)	Static moment (kgmm)	Working moment (kgcm)	Centrifugal force (kg)	Centrifugal force (kN)	Estimated bearings life time (hours)
100	21	4,20	211	2,07	4497
90	18,90	3,78	190	1,86	6159
80	16,80	3,36	169	1,66	8752
70	14,70	2,94	148	1,45	13031
60	12,60	2,52	127	1,24	20623
50	10,50	2,10	106	1,04	35469
40	8,40	1,68	84	0,83	71274
30	6,30	1,26	63	0,62	>100000
20	4,20	0,84	42	0,41	>100000
10	2,10	0,42	21	0,21	>100000

Power supply (volts)	24
Phases:	DIRECT CURRENT
Rotation speed (RPM)	3000
Max input power (watt)	190
Max current (amp)	8

DIMENSIONAL SPECIFICATIONS (mm)

Vibrator weight: 6 kg

Continual service ambient temperature: -20°C à +40°C - Tropicalization anti-mold - Mechanical protection: IP66 IK08 according to IEC

Bearing type: BALL

Lubrication "FOR LIFE" with double protection screen

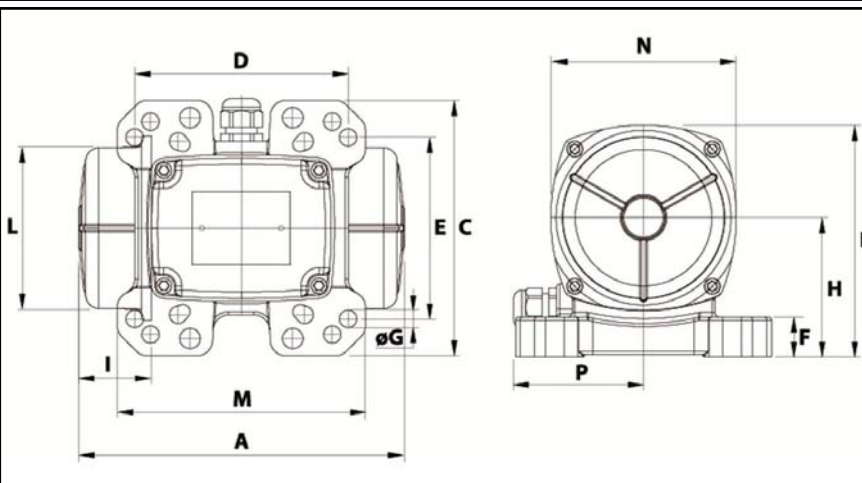
Fixing with 4 screws M8 - 5/16" quality 8.8 with tightening torque (kgm - ft/lb): 2.30 - 16.50

or 4 screws M10 - 3/8" quality 8.8 with tightening torque (kgm - ft/lb): 4.8 - 35.0

or 4 screws M12 - 1/2" quality 8.8 with tightening torque (kgm - ft/lb): 8.0

Power supply cable size: 12 mm - Cable entry thread: M20x1,5

Maintenance space: 46 mm



A	263
B	146,5
C	162
D	65-74-80-115
E	140-106-110-135
F	25
G	13-9-11-13
N° HOLES	4
H	88
I	46
L	103
M	140
N	117
P	82