

ACBMV B. CASADIO VIBRATION  
 Z.I. Mi-Plaine  
 51 Rue Ampère  
 B.P. 31  
 69682 CHASSIEU CEDEX (FRANCE)  
 Tel.: 04 78 90 87 87 / Fax.: 04 78 90 87 88  
 Email: [vibrateur@orange.fr](mailto:vibrateur@orange.fr)  
 Internet: [acbm.com](http://acbm.com)

3000/3600 RPM      ATEX III 3D tD A22 IP 65 ZONE 22  
 REF.: 600448M      Dust T°=100°C

Certifications:



### MECHANICAL AND ELECTRICAL SPECIFICATIONS

Eccentric weight setup (%)	Static moment (kgmm)	Working moment (kgcm)	Centrifugal force (kg)	Centrifugal force (N)	Estimated bearings life time (hours)
100	0,4	0,08	4 (50Hz)	39 (50Hz)	>100000 (50Hz)
			6 (60Hz)	59 (60Hz)	>100000 (60Hz)
90	0,36	0,07	4 (50Hz)	35 (50Hz)	>100000 (50Hz)
			5 (60Hz)	53 (60Hz)	>100000 (60Hz)
80	0,32	0,06	3 (50Hz)	31 (50Hz)	>100000 (50Hz)
			5 (60Hz)	47 (60Hz)	>100000 (60Hz)
70	0,28	0,06	3 (50Hz)	27 (50Hz)	>100000 (50Hz)
			4 (60Hz)	41 (60Hz)	>100000 (60Hz)
60	0,24	0,05	2 (50Hz)	23 (50Hz)	>100000 (50Hz)
			4 (60Hz)	35 (60Hz)	>100000 (60Hz)
50	0,20	0,04	2 (50Hz)	20 (50Hz)	>100000 (50Hz)
			3 (60Hz)	30 (60Hz)	>100000 (60Hz)
40	0,16	0,03	2 (50Hz)	16 (50Hz)	>100000 (50Hz)
			2 (60Hz)	24 (60Hz)	>100000 (60Hz)
30	0,12	0,02	1 (50Hz)	12 (50Hz)	>100000 (50Hz)
			2 (60Hz)	18 (60Hz)	>100000 (60Hz)
20	0,08	0,02	1 (50Hz)	8 (50Hz)	>100000 (50Hz)
			1 (60Hz)	12 (60Hz)	>100000 (60Hz)
10	0,04	0,01	0 (50Hz)	4 (50Hz)	>100000 (50Hz)
			1 (60Hz)	6 (60Hz)	>100000 (60Hz)

Power supply (volts)	230
Phases:	single phase
Frequency (Hz)	50 Hz/60 Hz
Rotation speed (RPM)	3000
Max input power (watt)	24
Max current (amp)	0,13

### DIMENSIONAL SPECIFICATIONS (mm)

**Vibrator weight: 0,92 kg**

Continual service ambient temperature: -20°C à +40°C - Tropicalization anti-mold - Mechanical protection: IP66 IK08 according to IEC

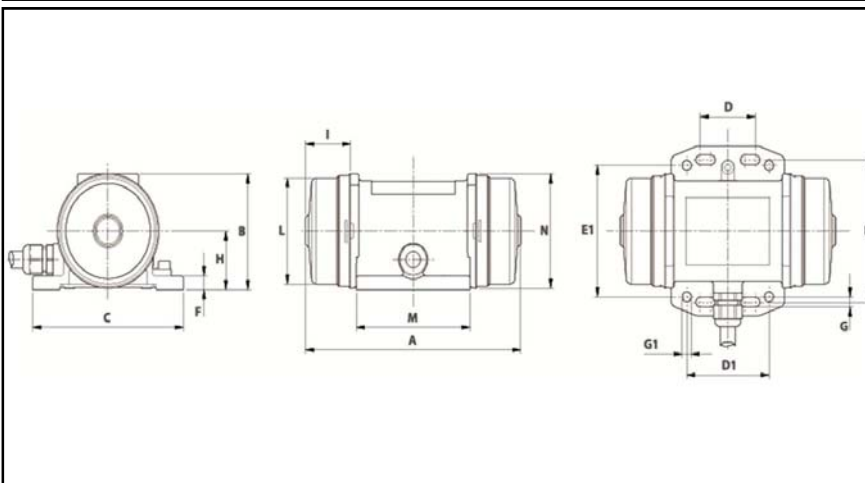
Bearing type: BALL

Lubrication "FOR LIFE" with double protection screen

Fixing with 4 screws M5 quality 8.8 with tightening torque (kgm - ft/lb): 4.4 - 0.6

- Cable entry thread: M12x1,5

Maintenance space: 25 mm



A	113
B	66,5
C	90
D	25-40
D1	-
E	75
E1	-
F	9
G	5,5
G1	-
N° HOLES	4
H	34
I	25
L	60
M	59

N					
65					