

ACBMV B. CASADIO VIBRATION
 Z.I. Mi-Plaine
 51 Rue Ampère
 B.P. 31
 69682 CHASSIEU CEDEX (FRANCE)
 Tel.: 04 78 90 87 87 / Fax.: 04 78 90 87 88
 Email: vibrateur@orange.fr
 Internet: acbm.com

3000/3600 RPM ATEX III 3D tD A22 IP 65 ZONE 22
 REF.: 600449M Dust T°=100°C

Certifications:



MECHANICAL AND ELECTRICAL SPECIFICATIONS

Eccentric weight setup (%)	Static moment (kgmm)	Working moment (kgcm)	Centrifugal force (kg)	Centrifugal force (N)	Estimated bearings life time (hours)
100	2	0,40	20 (50Hz)	196 (50Hz)	92118 (50Hz)
			29 (60Hz)	284 (60Hz)	22745 (60Hz)
90	1,80	0,36	18 (50Hz)	176 (50Hz)	>100000 (50Hz)
			26 (60Hz)	256 (60Hz)	31200 (60Hz)
80	1,60	0,32	16 (50Hz)	157 (50Hz)	>100000 (50Hz)
			23 (60Hz)	227 (60Hz)	44424 (60Hz)
70	1,40	0,28	14 (50Hz)	137 (50Hz)	>100000 (50Hz)
			20 (60Hz)	199 (60Hz)	66312 (60Hz)
60	1,20	0,24	12 (50Hz)	118 (50Hz)	>100000 (50Hz)
			17 (60Hz)	170 (60Hz)	>100000 (60Hz)
50	1,00	0,20	10 (50Hz)	98 (50Hz)	>100000 (50Hz)
			15 (60Hz)	142 (60Hz)	>100000 (60Hz)
40	0,80	0,16	8 (50Hz)	78 (50Hz)	>100000 (50Hz)
			12 (60Hz)	114 (60Hz)	>100000 (60Hz)
30	0,60	0,12	6 (50Hz)	59 (50Hz)	>100000 (50Hz)
			9 (60Hz)	85 (60Hz)	>100000 (60Hz)
20	0,40	0,08	4 (50Hz)	39 (50Hz)	>100000 (50Hz)
			6 (60Hz)	57 (60Hz)	>100000 (60Hz)
10	0,20	0,04	2 (50Hz)	20 (50Hz)	>100000 (50Hz)
			3 (60Hz)	28 (60Hz)	>100000 (60Hz)

Power supply (volts)	230
Phases:	single phase
Frequency (Hz)	50 Hz/60 Hz
Rotation speed (RPM)	3000
Max input power (watt)	35
Max current (amp)	0,17

DIMENSIONAL SPECIFICATIONS (mm)

Vibrator weight: 1,97 kg

Continual service ambient temperature: -20°C à +40°C - Tropicalization anti-mold - Mechanical protection: IP66 IK08 according to IEC

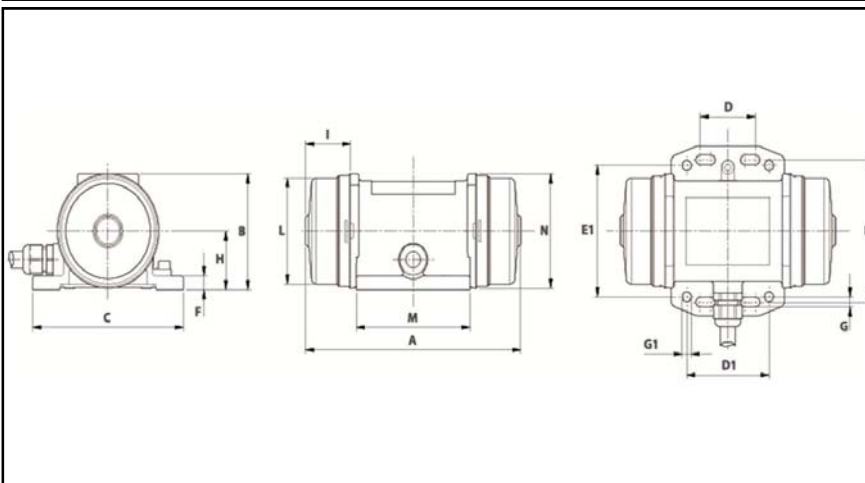
Bearing type: BALL

Lubrication "FOR LIFE" with double protection screen

Fixing with 4 screws M6 quality 8.8 with tightening torque (kgm - ft/lb): 7.2 - 1.0

- Cable entry thread: M16x1,5

Maintenance space: 33 mm



A	157
B	75
C	110
D	25-40
D1	60
E	92
E1	85
F	9
G	6,5
G1	6,5
N° HOLES	8
H	38
I	33
L	69
M	83

N					
74					