

ACBMV B. CASADIO VIBRATION
 Z.I. Mi-Plaine
 51 Rue Ampère
 B.P. 31
 69682 CHASSIEU CEDEX (FRANCE)
 Tel.: 04 78 90 87 87 / Fax.: 04 78 90 87 88
 Email: vibrateur@orange.fr
 Internet: acbmv.com

2 POLES - 3600 RPM ATEX II 2D tD A21 IP 66 ZONE 21-22
 REF.: 600456C Dust T°=120°C
 SIZE: 20

Certifications:



MECHANICAL AND ELECTRICAL SPECIFICATIONS

Eccentric weight setup (%)	Centrifugal force weight up/down (kg)	Static moment weight	Centrifugal force weight up/down (kN)	Static moment weight up (kgmm)	Estimated bearings life time (hours)
100	377/235		3,70/2,31	0	3850
90	339,3/211,5		3,33/2,08	0,00	5281
80	301,6/188		2,96/1,85	0,00	7519
70	263,9/164,5		2,59/1,62	0,00	11224
60	226,2/141		2,22/1,39	0,00	17824
50	188,5/117,5		1,85/1,16	0,00	30800
40	150,8/94		1,48/0,92	0,00	60156
30	113,1/70,5		1,11/0,69	0,00	>100000
20	75,4/47		0,74/0,46	0,00	>100000
10	37,7/23,5		0,37/0,23	0,00	>100000

Power supply (volts)	460
Phases:	three phases
Frequency (Hz)	60 Hz
Rotation speed (RPM)	3600
Max input power (watt)	500
Max current (amp)	0,75
IS/IR	4,8

DIMENSIONAL SPECIFICATIONS (mm)

Vibrator weight: 14,3 kg

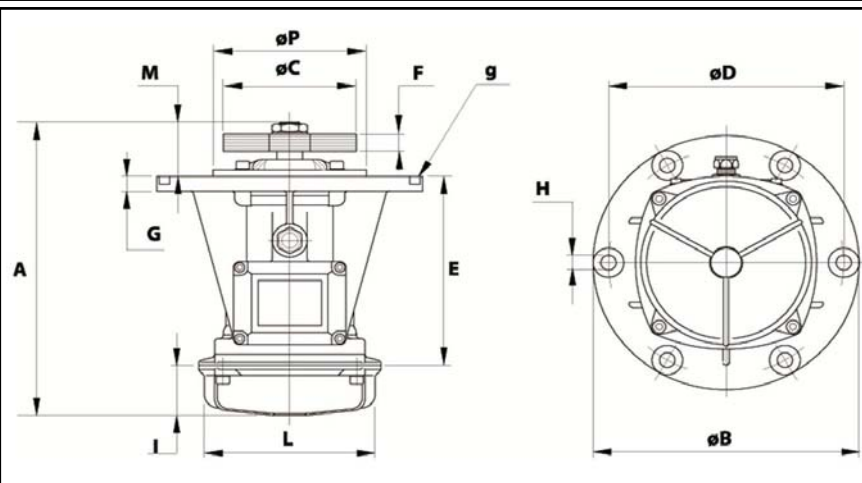
Continual service ambient temperature: -20°C à +40°C - Tropicalization anti-mold - Mechanical protection: IP66 IK08 according to IEC

Bearing type: BALL

Lubrication "FOR LIFE" with double protection screen

Fixing with 6 screws M14 - 9/16" quality 8.8 with tightening torque (kgm - ft/lb): 4.80 - 35

Power supply cable size: 9 à 16 mm - Cable entry thread: M25x1,5



A	279,5
B	245
C	150 (50Hz) 132 (60Hz)
D	205
H	12
N° TROUS	6
E	124
F	18
G	12
I	65
L	145
M	90,5
P	162