

VIBRATOR TYPE: MVCC 3/500 24 VOLTS DIRECT CURRENT

ACBMV B. CASADIO VIBRATION
 Z.I. Mi-Plaine
 51 Rue Ampère
 B.P. 31
 69682 CHASSIEU CEDEX (FRANCE)
 Tel.: 04 78 90 87 87 / Fax.: 04 78 90 87 88
 Email: vibrateur@orange.fr
 Internet: acbmv.com

3000 RPM
 REF.: 600469K

Certifications:



MECHANICAL AND ELECTRICAL SPECIFICATIONS

Eccentric weight setup (%)	Static moment (kgmm)	Working moment (kgcm)	Centrifugal force (kg)	Centrifugal force (kN)	Estimated bearings life time (hours)
100	49,9	9,98	503	4,93	N/A
90	44,91	8,98	453	4,44	N/A
80	39,92	7,98	402	3,94	N/A
70	34,93	6,99	352	3,45	N/A
60	29,94	5,99	302	2,96	N/A
50	24,95	4,99	252	2,47	N/A
40	19,96	3,99	201	1,97	N/A
30	14,97	2,99	151	1,48	N/A
20	9,98	2,00	101	0,99	N/A
10	4,99	1,00	50	0,49	N/A

Power supply (volts)	24
Phases:	DIRECT CURRENT
Rotation speed (RPM)	3000
Max input power (watt)	270
Max current (amp)	11,3

DIMENSIONAL SPECIFICATIONS (mm)

Vibrator weight: 13,1 kg

Continual service ambient temperature: -20°C à +40°C - Tropicalization anti-mold - Mechanical protection: IP66 IK08 according to IEC

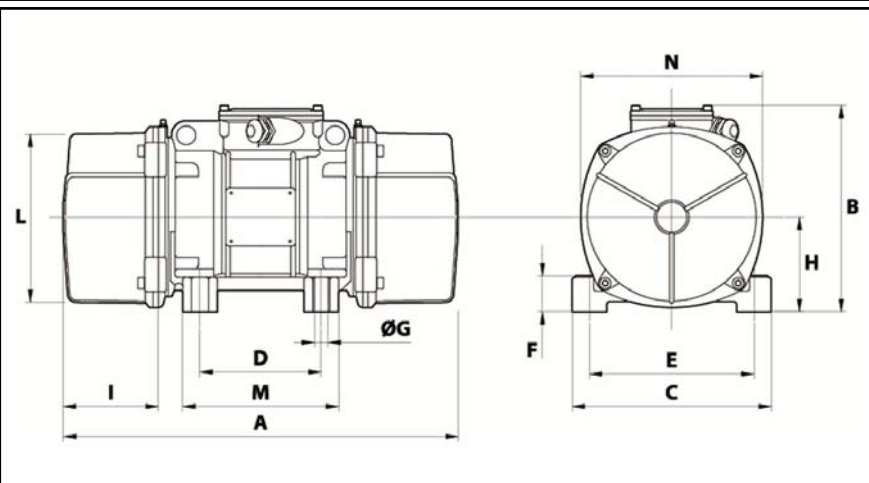
Bearing type: BALL

Lubrication "FOR LIFE" with double protection screen

Fixing with 4 screws M12 - 1/2" quality 8.8 with tightening torque (kgm - ft/lb): 8.00 - 58.0

Power supply cable size: 16 mm - Cable entry thread: M25x1,5

Maintenance space: 65 mm



A	288
B	203
C	167
D	105
E	140
F	30
G	13
N° HOLES	4
H	82,5
I	65
L	145
M	140
N	160
P	-