

ACBMV B. CASADIO VIBRATION  
 Z.I. Mi-Plaine  
 51 Rue Ampère  
 B.P. 31  
 69682 CHASSIEU CEDEX (FRANCE)  
 Tel.: 04 78 90 87 87 / Fax.: 04 78 90 87 88  
 Email: [vibrateur@orange.fr](mailto:vibrateur@orange.fr)  
 Internet: [acbm.com](http://acbm.com)

2 POLES - 3000 RPM  
 REF.: 600515A  
 SIZE: 30

Certifications:



### MECHANICAL AND ELECTRICAL SPECIFICATIONS

Eccentric weight setup (%)	Static moment (kgmm)	Working moment (kgcm)	Centrifugal force (kg)	Centrifugal force (kN)	Estimated bearings life time (hours)
100	78	15,60	785	7,70	7505
90	70,20	14,04	707	6,93	10273
80	62,40	12,48	628	6,16	14658
70	54,60	10,92	550	5,39	21821
60	46,80	9,36	471	4,62	34745
50	39,00	7,80	393	3,85	59811
40	31,20	6,24	314	3,08	>100000
30	23,40	4,68	236	2,31	>100000
20	15,60	3,12	157	1,54	>100000
10	7,80	1,56	79	0,77	>100000

Power supply (volts)	400
Phases:	three phases
Frequency (Hz)	50 Hz
Rotation speed (RPM)	3000
Max input power (watt)	650
Max current (amp)	1,1
IS/IR	6

### DIMENSIONAL SPECIFICATIONS (mm)

**Vibrator weight: 25 kg**

Continual service ambient temperature: -20°C à +40°C - Tropicalization anti-mold - Mechanical protection: IP66 IK08 according to IEC

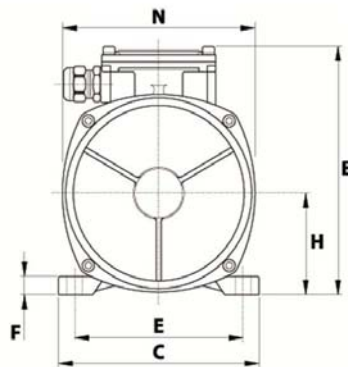
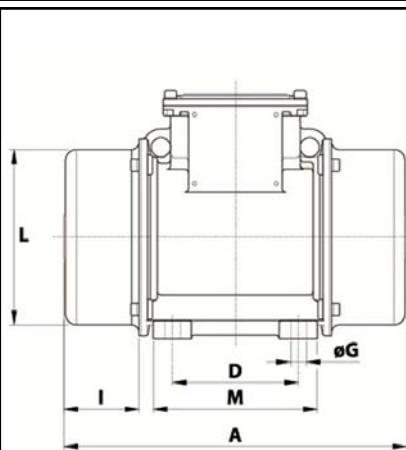
Bearing type: BALL

Lubrication "FOR LIFE" with double protection screen

Fixing with 4 screws M16 - 5/8" quality 8.8 with tightening torque (kgm - ft/lb): 19 - 137

Power supply cable size: 9 à 16 mm - Cable entry thread: M25x1,5

Maintenance space: 63 mm



A	308
B	205
C	205
D	120
E	170
F	17
G	17
N° HOLES	4
H	93,5
I	63
L	168
M	160
N	182
