

ACBMV B. CASADIO VIBRATION
 Z.I. Mi-Plaine
 51 Rue Ampère
 B.P. 31
 69682 CHASSIEU CEDEX (FRANCE)
 Tel.: 04 78 90 87 87 / Fax.: 04 78 90 87 88
 Email: vibrateur@orange.fr
 Internet: acbmv.com

2 POLES - 3600 RPM
 REF.: 600515C
 SIZE: 30

Certifications:



MECHANICAL AND ELECTRICAL SPECIFICATIONS

Eccentric weight setup (%)	Static moment (kgmm)	Working moment (kgcm)	Centrifugal force (kg)	Centrifugal force (kN)	Estimated bearings life time (hours)
100	52	10,40	754	7,40	7058
90	46,80	9,36	679	6,66	9665
80	41,60	8,32	603	5,92	13799
70	36,40	7,28	528	5,18	20554
60	31,20	6,24	452	4,44	32763
50	26,00	5,20	377	3,70	56464
40	20,80	4,16	302	2,96	>100000
30	15,60	3,12	226	2,22	>100000
20	10,40	2,08	151	1,48	>100000
10	5,20	1,04	75	0,74	>100000

Power supply (volts)	260
Phases:	single phase
Frequency (Hz)	60 Hz
Rotation speed (RPM)	3600
Max input power (watt)	750
Max current (amp)	7
IS/IR	4,14

DIMENSIONAL SPECIFICATIONS (mm)

Vibrator weight: 24 kg

Continual service ambient temperature: -20°C à +40°C - Tropicalization anti-mold - Mechanical protection: IP66 IK08 according to IEC

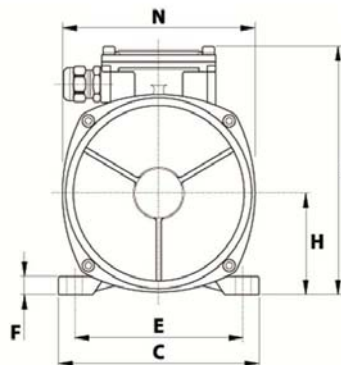
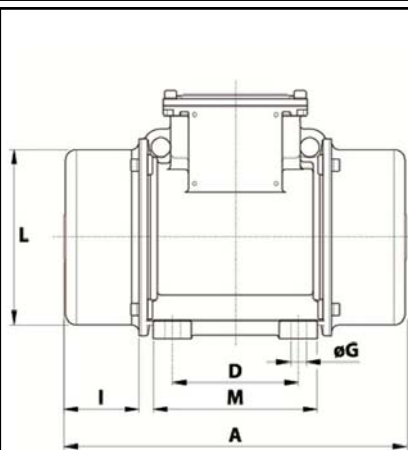
Bearing type: BALL

Lubrication "FOR LIFE" with double protection screen

Fixing with 4 screws M16 - 5/8" quality 8.8 with tightening torque (kgm - ft/lb): 19 - 137

Power supply cable size: 9 à 16 mm - Cable entry thread: M25x1,5

Maintenance space: 63 mm



A	308
B	205
C	205
D	120
E	170
F	17
G	17
N° HOLES	4
H	93,5
I	63
L	168
M	160
N	182
