

ACBMV B. CASADIO VIBRATION
 Z.I. Mi-Plaine
 51 Rue Ampère
 B.P. 31
 69682 CHASSIEU CEDEX (FRANCE)
 Tel.: 04 78 90 87 87 / Fax.: 04 78 90 87 88
 Email: vibrateur@orange.fr
 Internet: acbm.com

4 POLES - 1800 RPM
 REF.: 601130C
 SIZE: 80

Certifications:



MECHANICAL AND ELECTRICAL SPECIFICATIONS

Eccentric weight setup (%)	Centrifugal force (kg)	Centrifugal force (kN)	Estimated bearings life time (hours)
100	4500	44,1	17218
90	4050	39,69	24463
80	3600	35,28	36226
70	3150	30,87	56536
60	2700	26,46	94510
50	2250	22,05	>100000
40	1800	17,64	>100000
30	1350	13,23	>100000
20	900	8,82	>100000
10	450	4,41	>100000

Power supply (volts)	460
Phases:	three phases
Frequency (Hz)	60 Hz
Rotation speed (RPM)	1800
Max input power (watt)	4200
Max current (amp)	5,8
IS/IR	4,18

DIMENSIONAL SPECIFICATIONS (mm)

Vibrator weight: 106 kg

Continual service ambient temperature: -20°C à +40°C - Tropicalization anti-mold - Mechanical protection: IP66 IK08 according to IEC

Bearing type: ROLLER

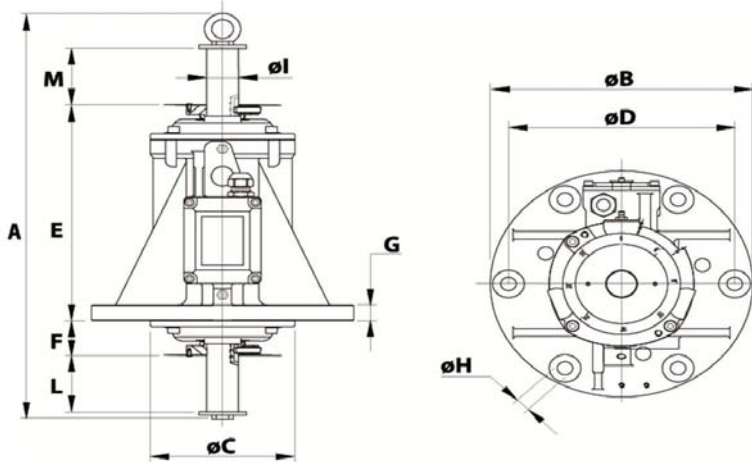
Lubrication LONG-LIFE with KLUEBER STABURAGS NBU 8EP.

Re lubrication quantity after 1000 hours of using: 100g

Max quantity by replaced bearing: 50g

Fixing with 6 screws M22 - 7/8" quality 8.8 with tightening torque (kgm - ft/lb): 56 - 411

Power supply cable size: 12.5 à 15 mm - Cable entry thread: M25x1,5



A	664
B	400
C	240
D	355
E	340
F	70
G	30
N° HOLES	6
H	23,5
I	52
L	75
M	75