

ACBMV B. CASADIO VIBRATION
 Z.I. Mi-Plaine
 51 Rue Ampère
 B.P. 31
 69682 CHASSIEU CEDEX (FRANCE)
 Tel.: 04 78 90 87 87 / Fax.: 04 78 90 87 88
 Email: vibrateur@orange.fr
 Internet: acbmv.com

4 POLES - 1500 RPM
 REF.: 601131A
 SIZE: 90

Certifications:



MECHANICAL AND ELECTRICAL SPECIFICATIONS

Eccentric weight setup (%)	Centrifugal force (kg)	Centrifugal force (kN)	Estimated bearings life time (hours)
100	7000	68,7	15186
90	6300	61,83	21576
80	5600	54,96	31950
70	4900	48,09	49864
60	4200	41,22	83356
50	3500	34,35	>100000
40	2800	27,48	>100000
30	2100	20,61	>100000
20	1400	13,74	>100000
10	700	6,87	>100000

Power supply (volts)	400
Phases:	three phases
Frequency (Hz)	50 Hz
Rotation speed (RPM)	1500
Max input power (watt)	7000
Max current (amp)	11,8
IS/IR	6,19

DIMENSIONAL SPECIFICATIONS (mm)

Vibrator weight: 160 kg

Continual service ambient temperature: -20°C à +40°C - Tropicalization anti-mold - Mechanical protection: IP66 IK08 according to IEC

Bearing type: ROLLER

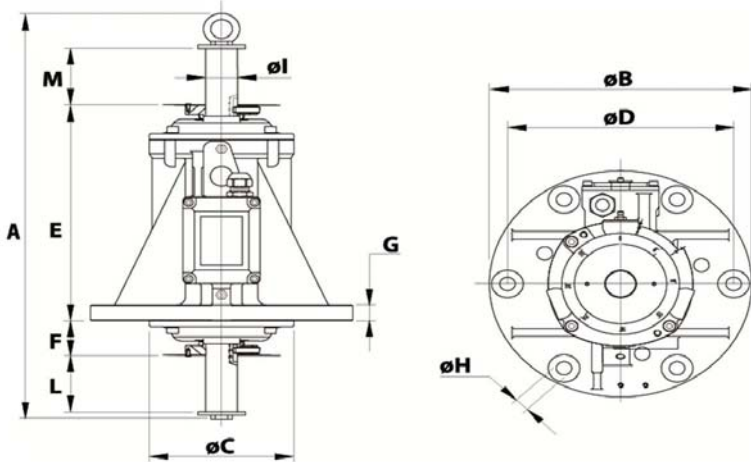
Lubrication LONG-LIFE with KLUEBER STABURAGS NBU 8EP.

Re lubrication quantity after 1000 hours of using: 150g

Max quantity by replaced bearing: 80g

Fixing with 8 screws M24 - 15/16" quality 8.8 with tightening torque (kgm - ft/lb): 71 - 513

Power supply cable size: 16 à 19 mm - Cable entry thread: M32x1,5



A	740
B	508
C	314
D	438
E	388
F	88
G	34
N° HOLES	8
H	25
I	52
L	79
M	79